

FIGURE 1A

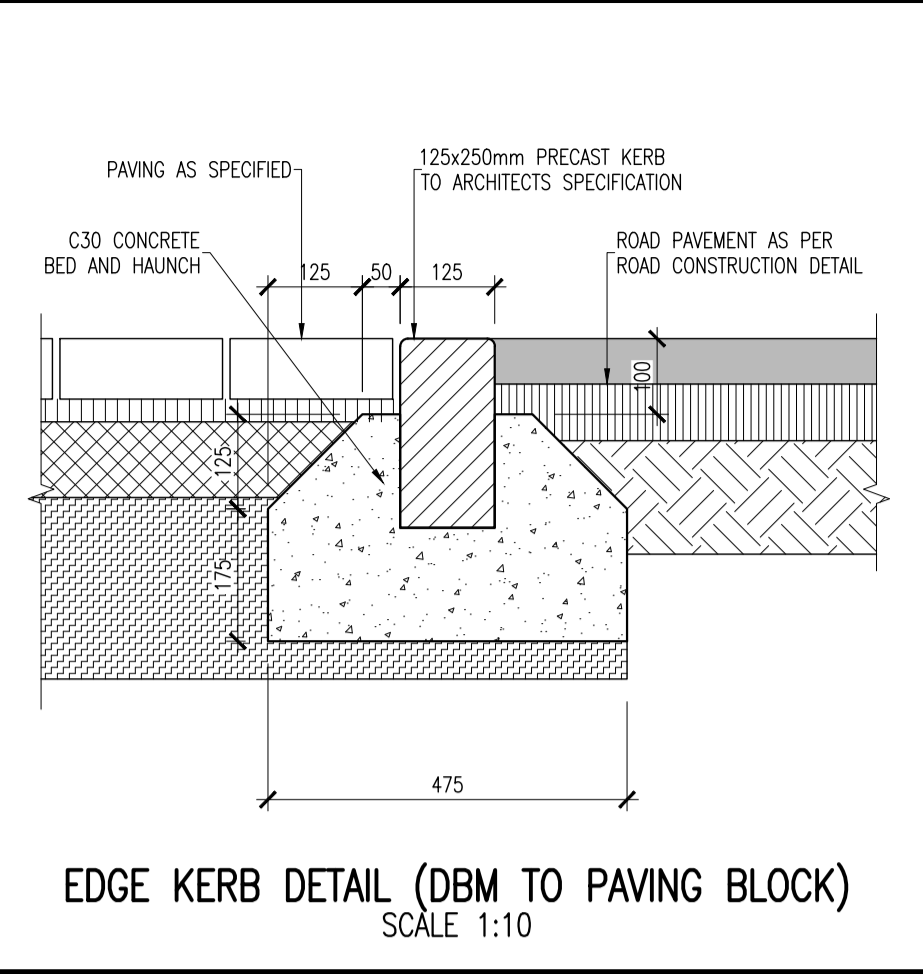
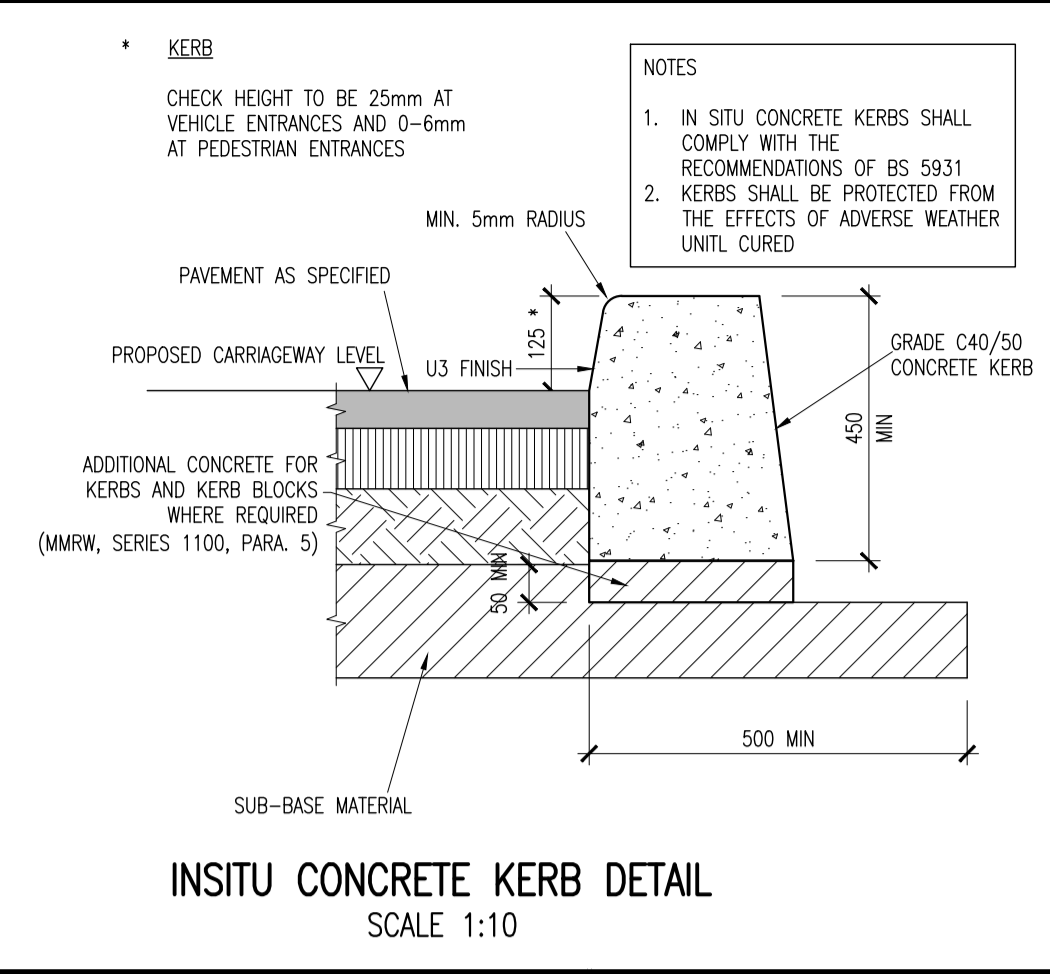


FIGURE 1B

© COPYRIGHT OF THIS DRAWING IS RESERVED BY DBFL CONSULTING ENGINEERS. NO PART SHALL BE REPRODUCED OR TRANSMITTED WITHOUT THEIR WRITTEN PERMISSION.

ON ORIGINAL

NOTES:

- ALL WORKS TO BE CONSTRUCTED IN ACCORDANCE WITH THE NRA SPECIFICATION FOR ROAD WORKS UNLESS OVERRIDDEN BY LOCAL OVERSEEING AUTHORITY'S STANDARDS
- SUB-BASE MATERIAL SHALL COMPLY WITH CLAUSE 808 GRANULAR MATERIAL TYPE B OF NRA'S SPECIFICATION FOR ROAD WORKS (SRW) & SHALL SATISFY THE REQUIREMENTS OF TABLE 6/4 & 6/2.
- SUB FORMATION & CAPPING MATERIAL SHALL COMPLY WITH CLAUSE 613 OF THE NRA'S "SPECIFICATION FOR ROAD WORKS" & SHALL SATISFY THE REQUIREMENTS OF TABLE 6/1 & 6/2.
- STONE BLINDING WITH 2-6.3mm AGGREGATE SHALL MEET THE FOLLOWING GRADINGS, IN ACCORDANCE WITH IS EN 13242

BS SIEVE SIZE (mm)	% BY MASS PASSING
14	100
10	98-100
6.3	80-99
2.0	0-20
1.0	0-5

- CRUSHED STONE WITH 4-20mm AGGREGATE SHALL MEET THE FOLLOWING GRADINGS, IN ACCORDANCE WITH IS EN 13242

BS SIEVE SIZE (mm)	% BY MASS PASSING
40	100
31.5	98-100
20	90-99
10	25-70
4	0-15
5	0-5

- ANY ROADS PROPOSED TO BE USED FOR CONSTRUCTION TRAFFIC ARE TO HAVE INCREASED DEPTH OF SUB-BASE FOR THE DURATION OF CONSTRUCTION IN ACCORDANCE WITH DBFL SPECIFICATIONS.
- ALL WORKS SHALL BE COMPLETED IN ACCORDANCE WITH THE REQUIREMENTS OF THE LOCAL AUTHORITY.
- ALL GEORIDS TO BE LAID IN ACCORDANCE WITH MANUFACTURERS SPECIFICATIONS.
- ALL AGGREGATES PROPOSED FOR USE ON THIS SCHEME SHALL MEET FULLY THE REQUIREMENTS OF THE NRA SPECIFICATION FOR ROAD WORKS AND IN ADDITION THE REQUIREMENTS STATED IN STANDARD RECOMMENDATION S.R. 21:2014 GUIDANCE ON THE USE OF I.S. EN 13242:2002 -A1:2007-AGGREGATES FOR UNBOUND AND HYDRAULICALLY BOUND MATERIALS FOR USE IN CIVIL ENGINEERING WORK AND ROAD CONSTRUCTION.

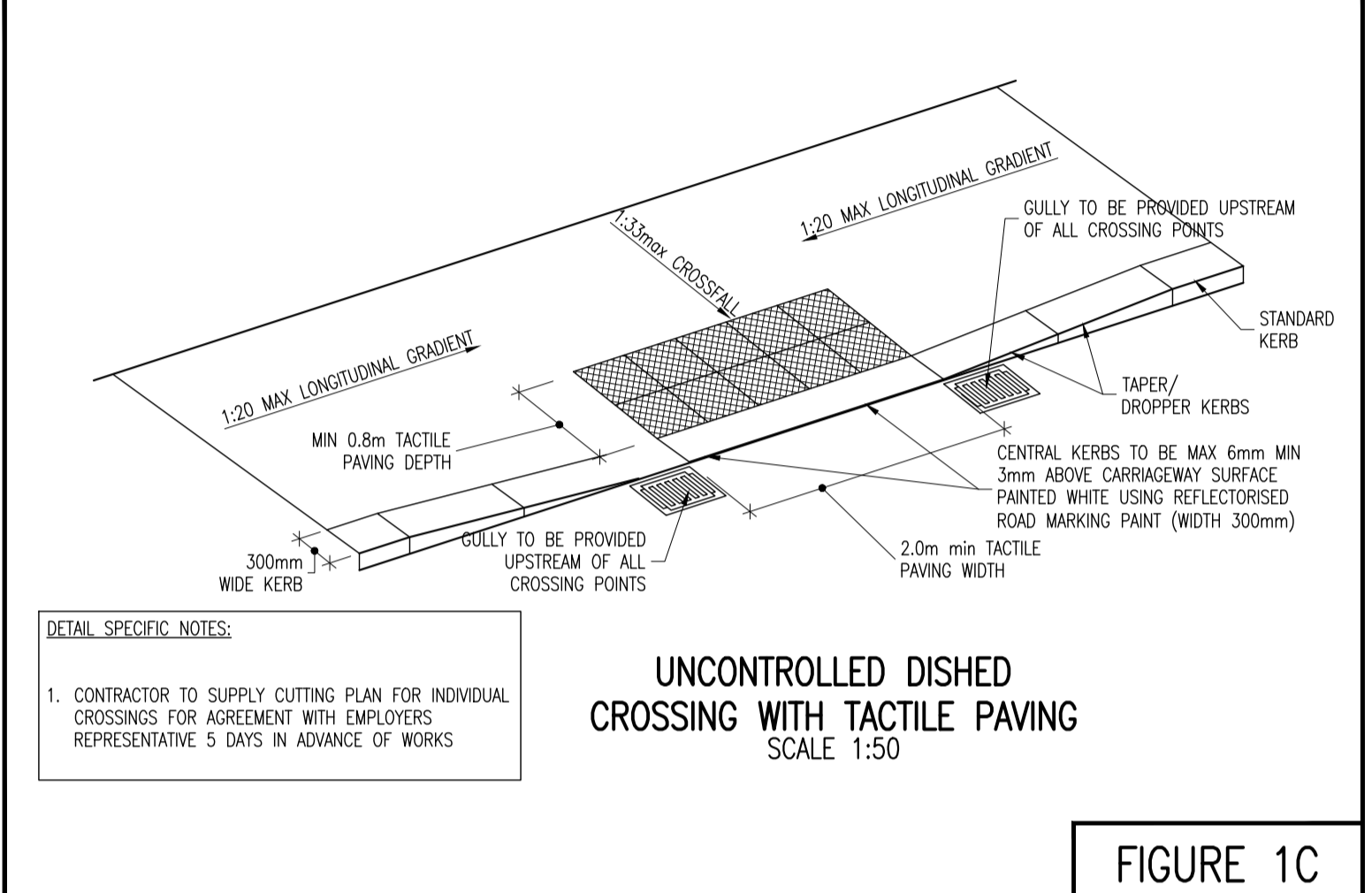


FIGURE 1C

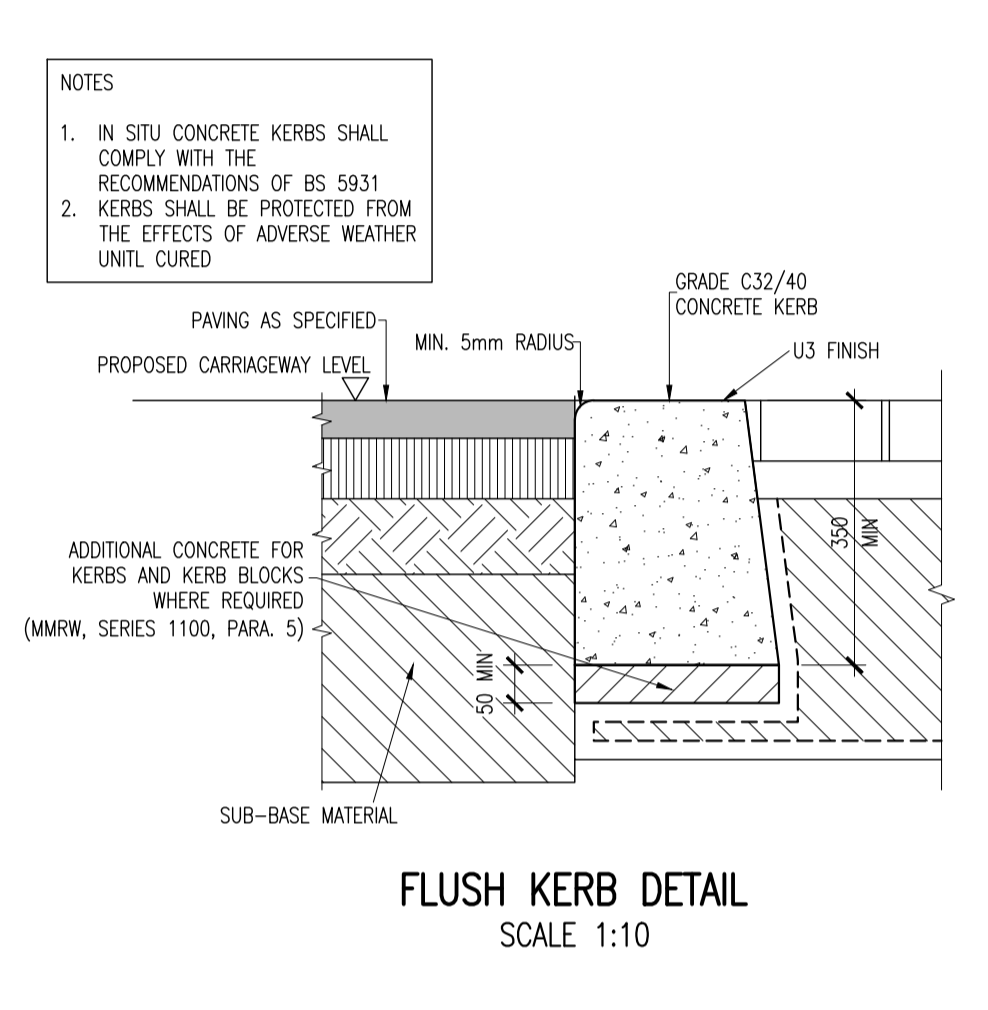


FIGURE 1D

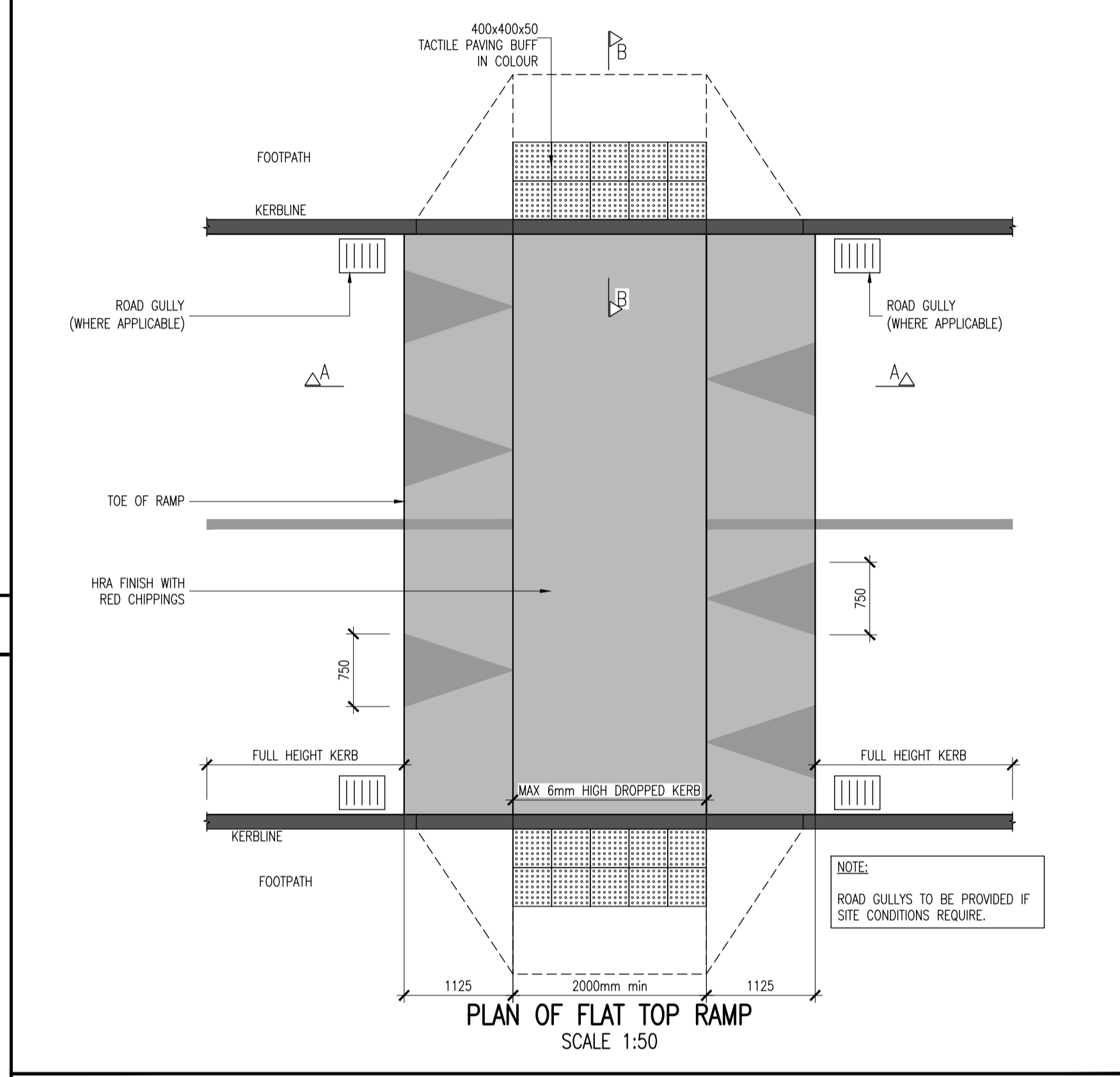


FIGURE 1H

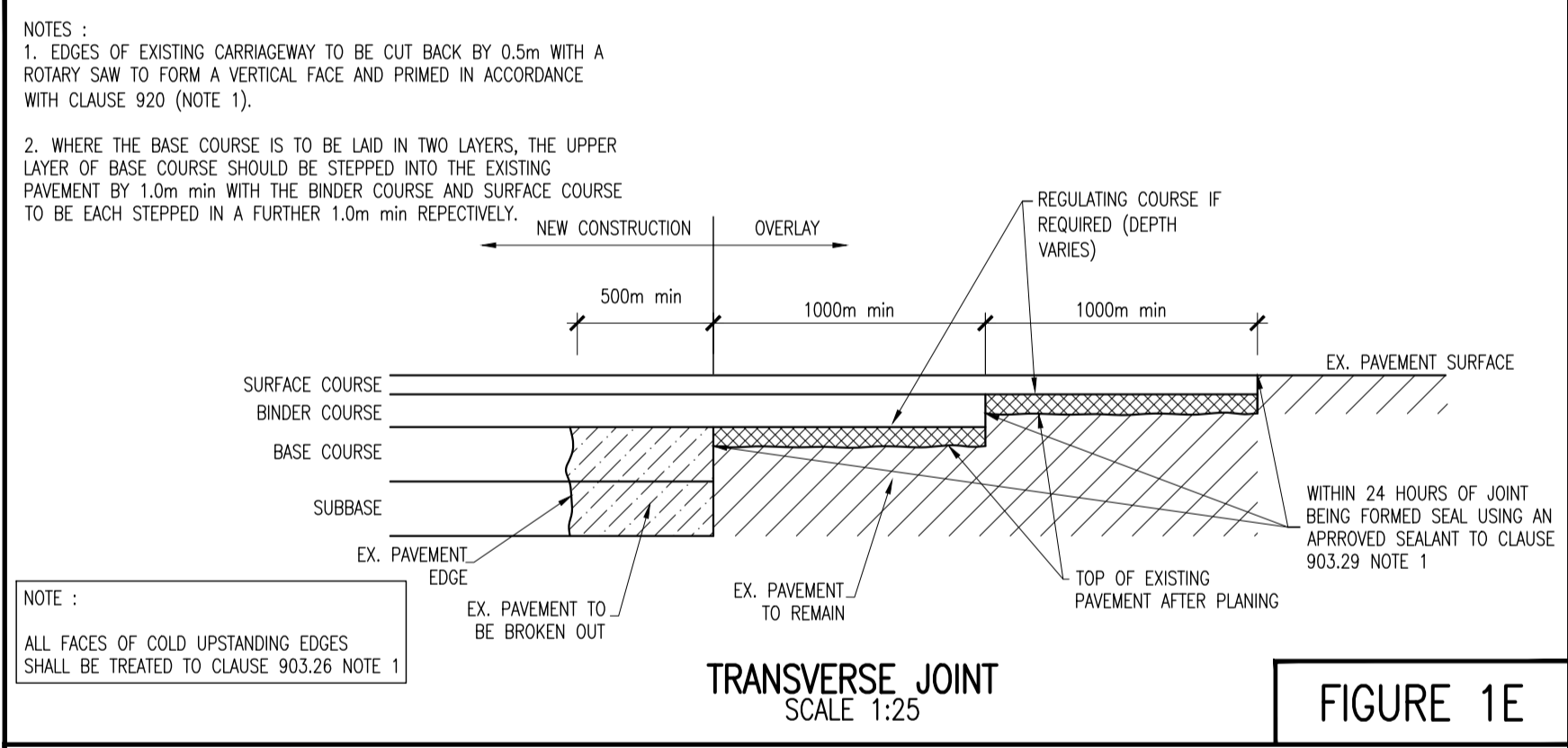


FIGURE 1E

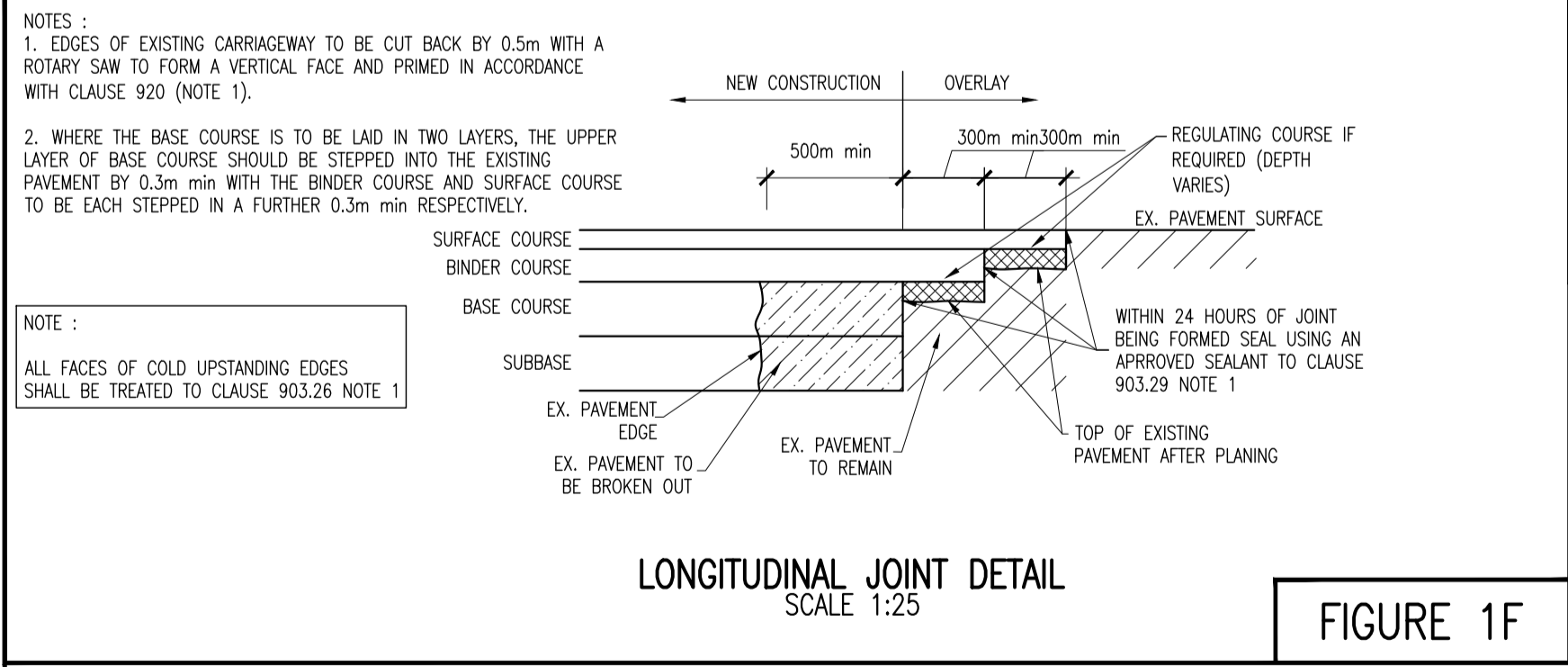


FIGURE 1F

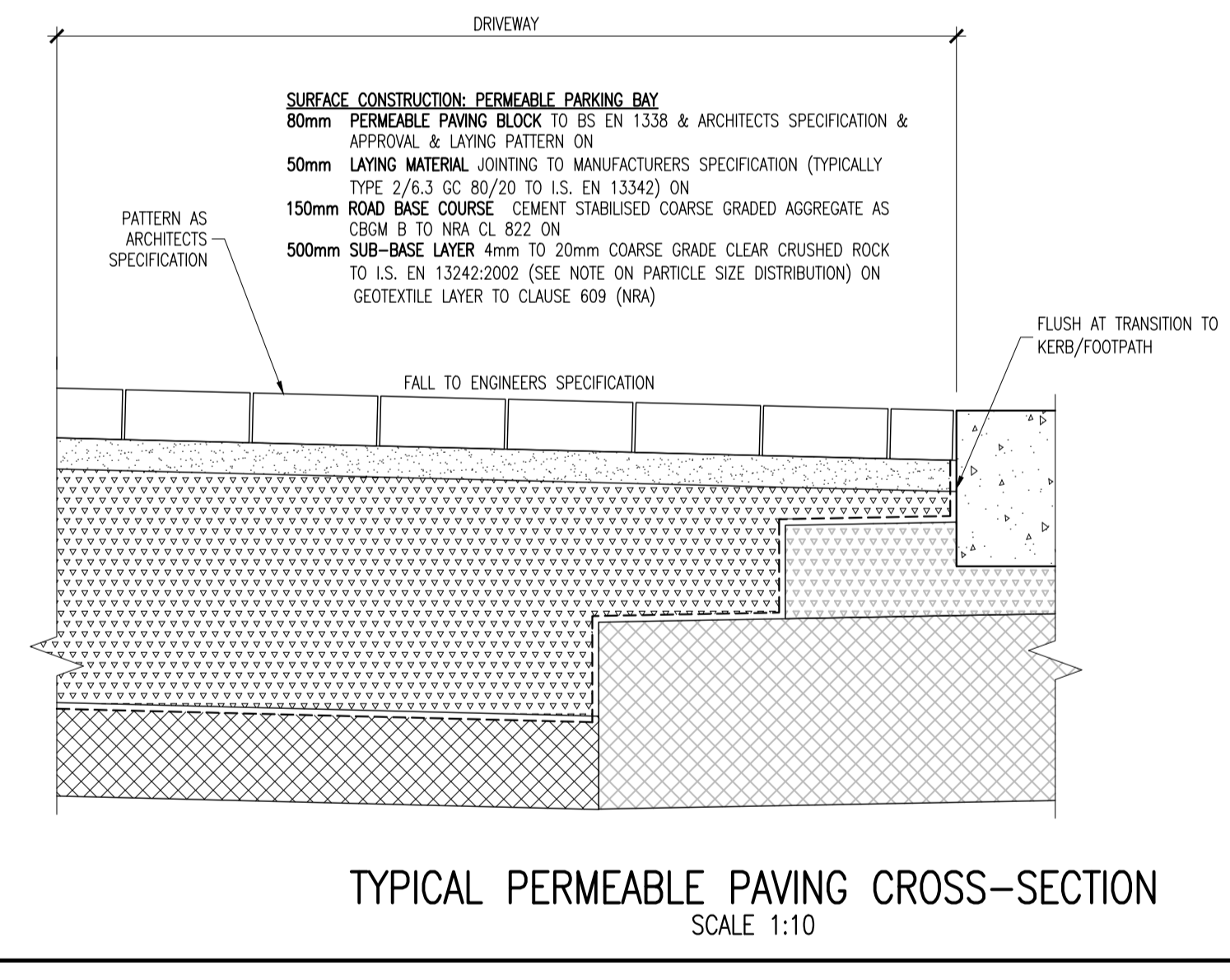
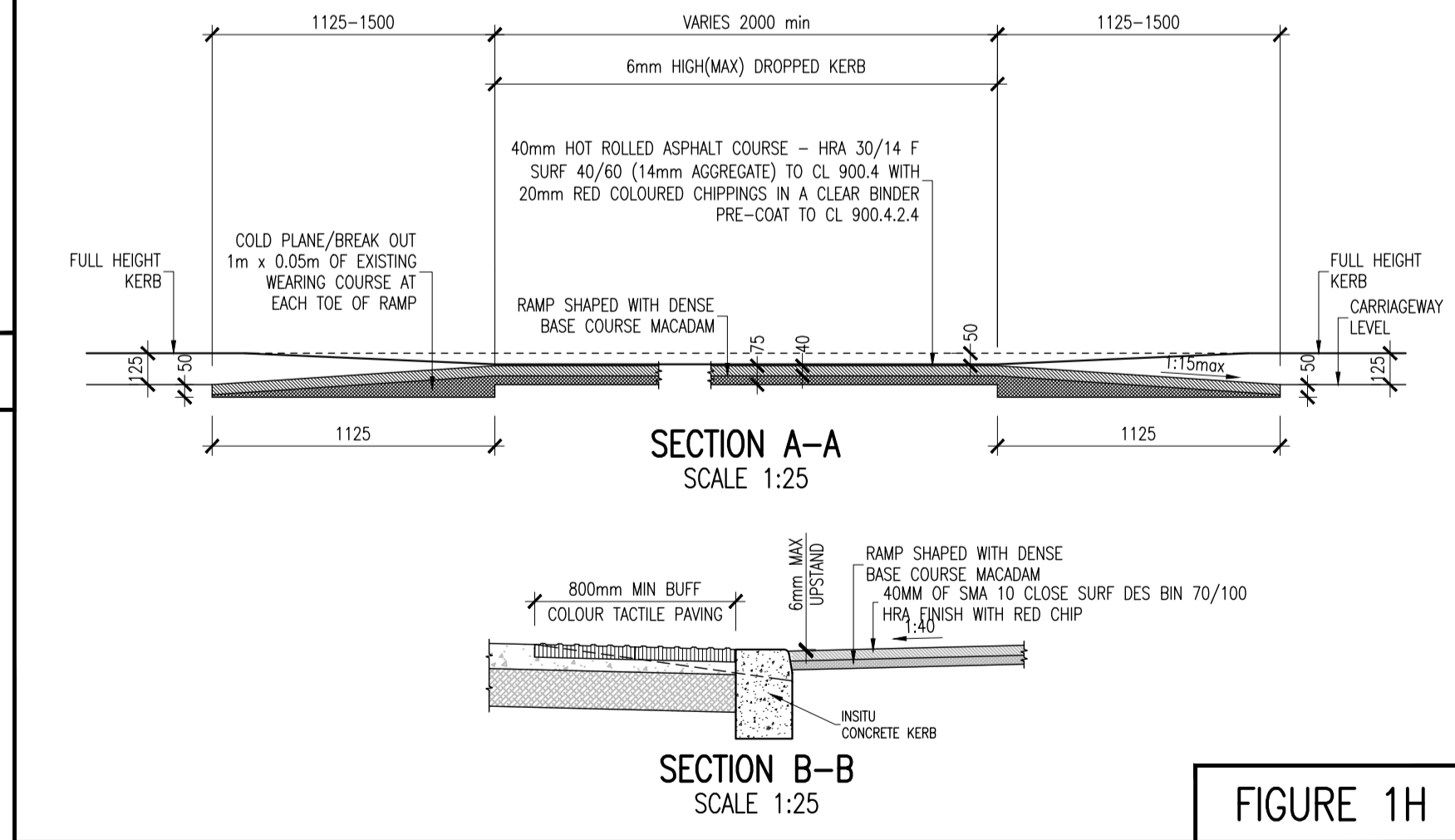


FIGURE 1G



REV.	DATE	DESCRIPTION	BY	CHKD.
PLANNING				
DESIGNED	JPC	PREPARED	DJG	
DATE	OCT 2018	CHECKED	DJR	

DBFL Dublin Office Ormond House, Upper Ormond Quay, Dublin 7, Ireland. PHONE +353 1 400 4000 FAX +353 1 400 4050

Waterford Office Unit 2, The Chandery, 1-2 O'Connell Street, Waterford, Ireland. PHONE +353 51 309 500 FAX +353 51 844 913

DBFL Consulting Engineers email: info@dbfl.ie url: www.dbfl.ie

PROJECT
SITE AT BLUEBELL, NAAS

DRG. TITLE
TYPICAL ROAD CONSTRUCTION DETAILS

CLIENT
ARDSTONE HOMES

SCALE AS SHOWN @A1 **FILE REF.** 170198-2211

DRG. NO. 170198-170198-2211