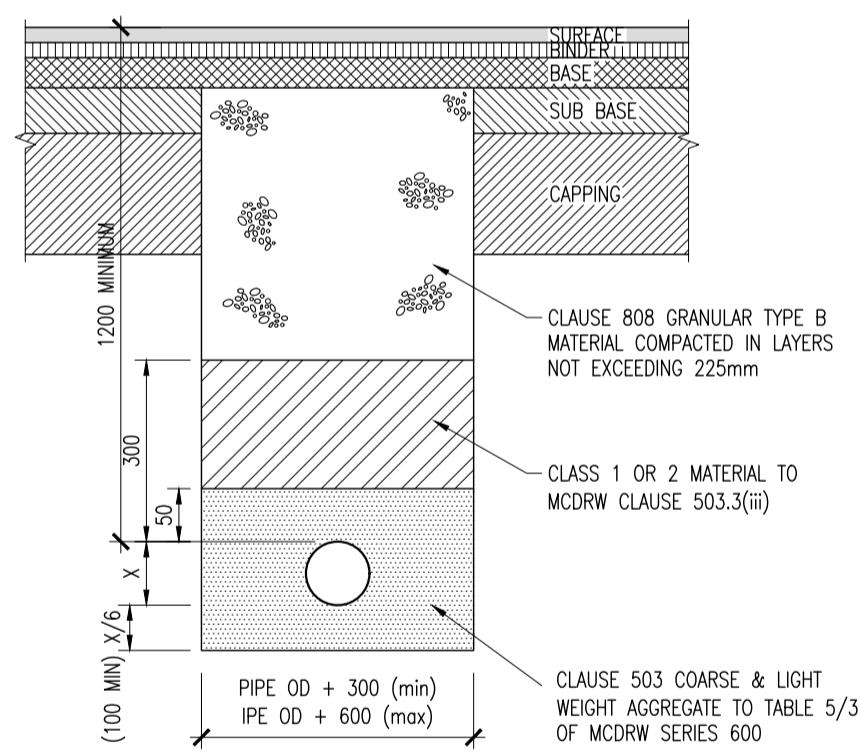
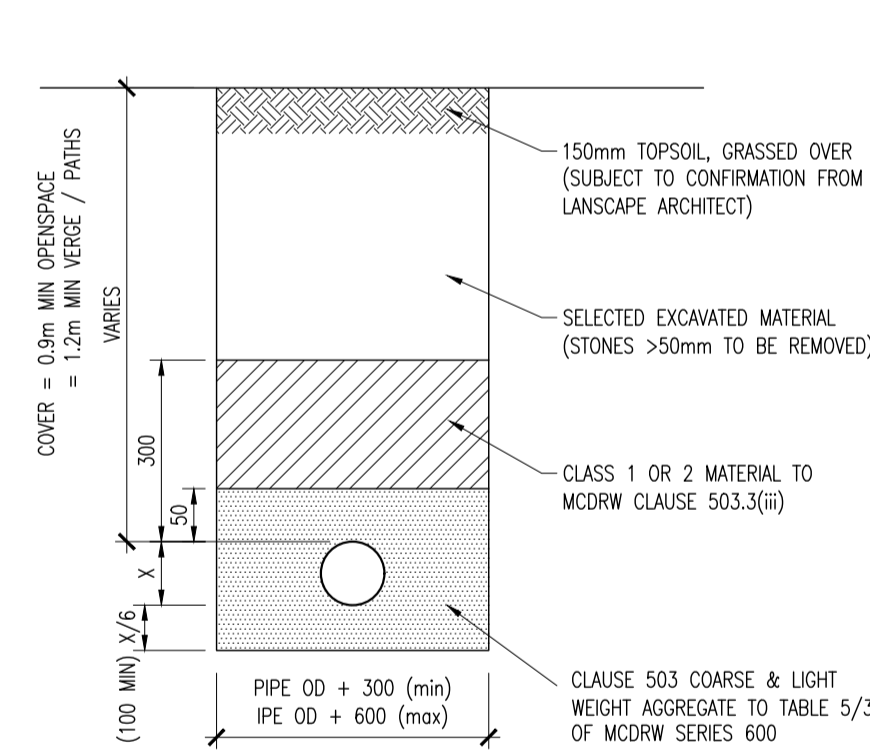
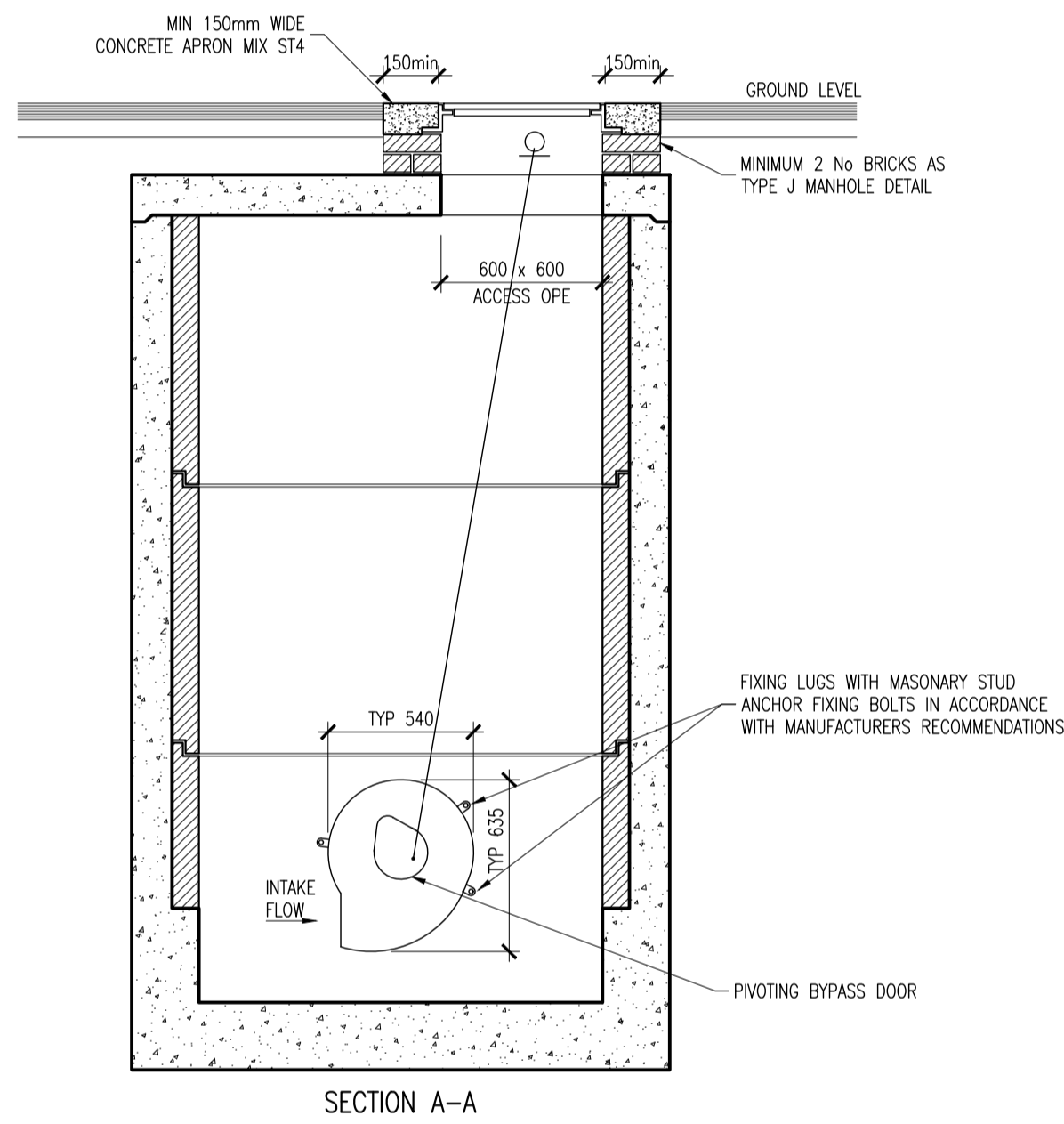
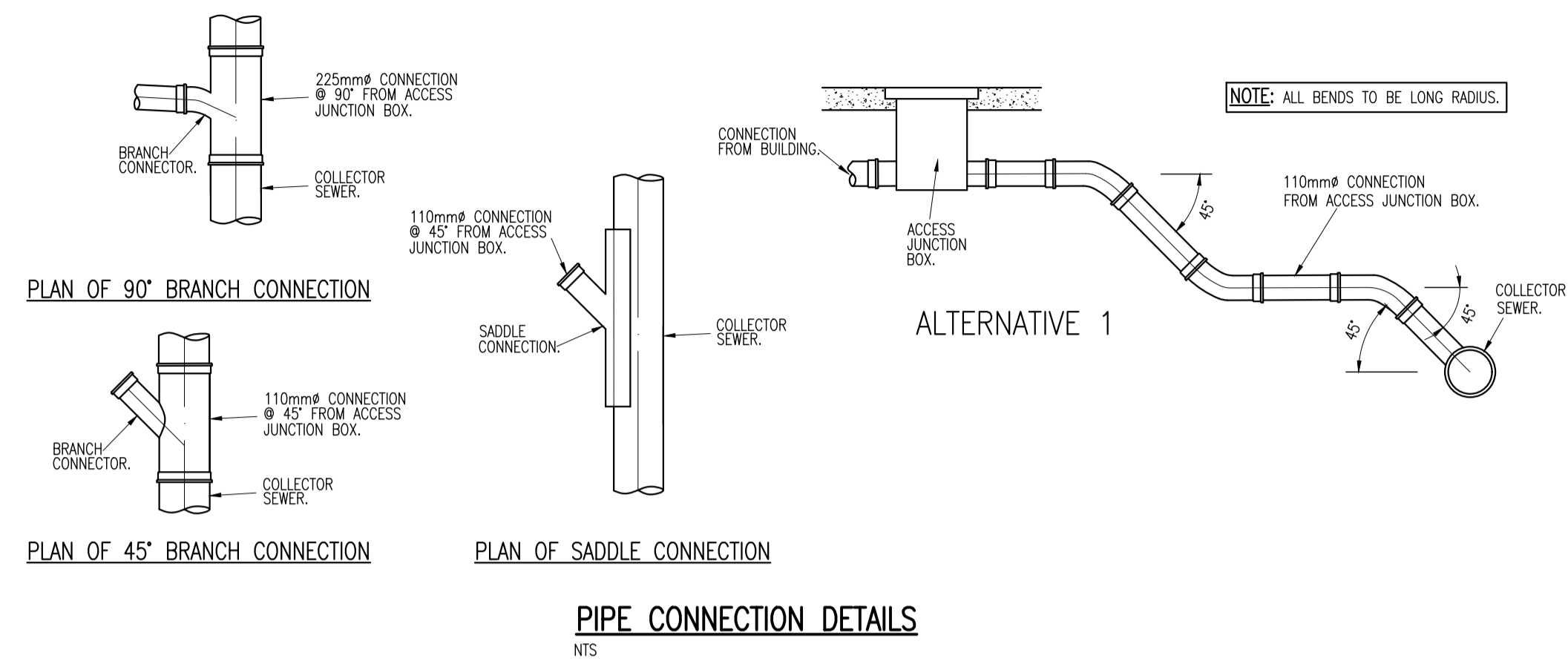


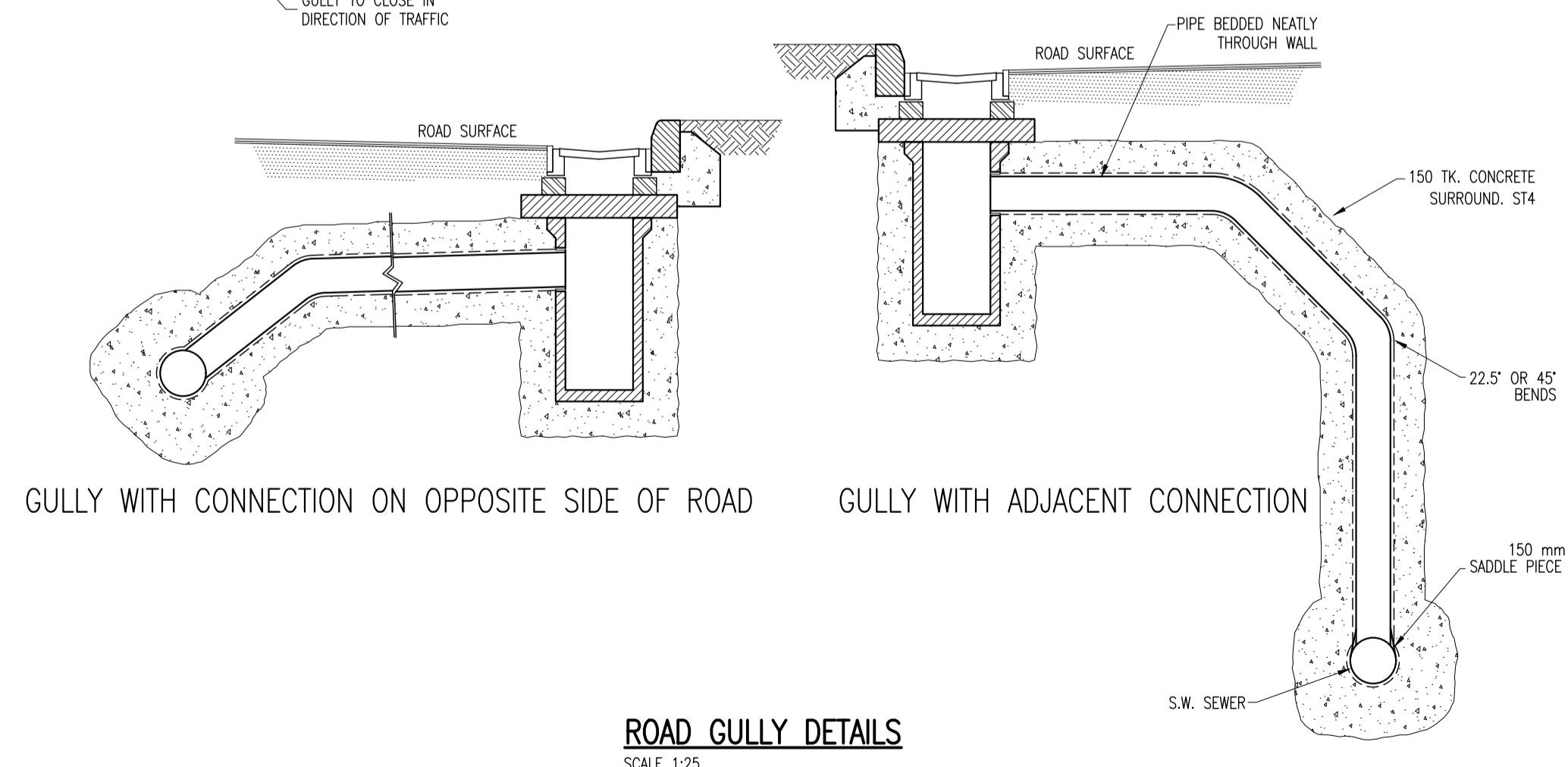
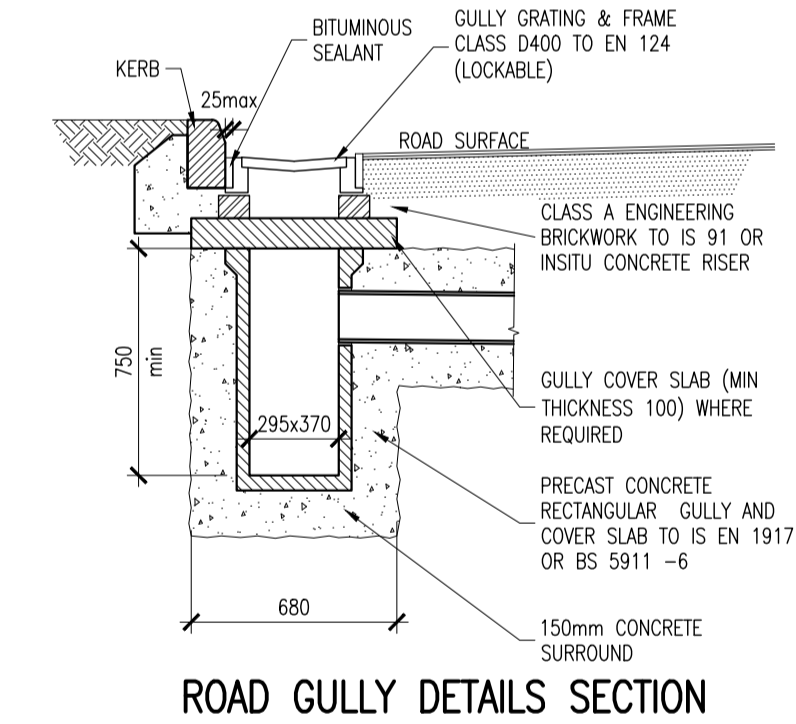
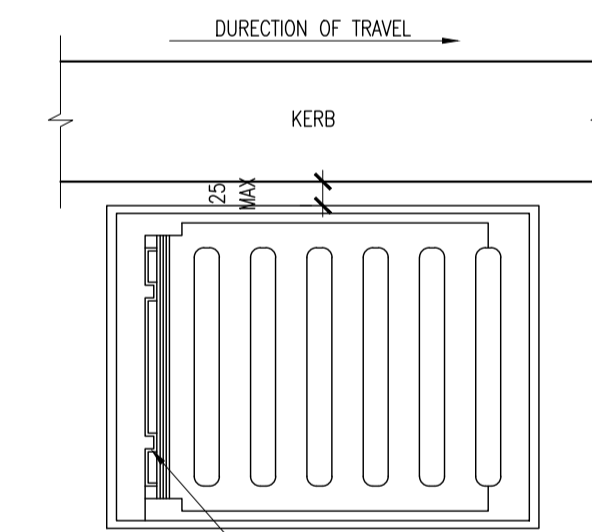
TYPE Z
CONCRETE BEDDING/SURROUND
 (COVER 750mm - 1200mm)



C - TRENCH BACKFILL/REINSTATEMENT DETAIL
 IN EXISTING ROADS, FOOTPATHS AND OPEN SPACES
 (REFER TO DRAWING 170155-3113)

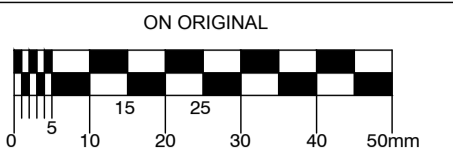
TYPE S
 (COVER > 1.2 METRES TO CROWN)

PIPE BEDDING DETAILS
 SCALE 1:25



FLOW CONTROL MANHOLE DETAIL
 SCALE 1:25

© COPYRIGHT OF THIS DRAWING IS RESERVED BY DBFL CONSULTING ENGINEERS. NO PART SHALL BE REPRODUCED OR TRANSMITTED WITHOUT THEIR WRITTEN PERMISSION.



- NOTES:
- TYPE 1 GRANULAR MATERIAL : BROKEN STONE OR GRAVEL TO PASS 10mm SIEVE AND BE RETAINED ON 5mm SIEVE.
 - TYPE 2 GRANULAR MATERIAL : BROKEN STONE OR GRAVEL TO PASS 10mm - 25mm SIEVE, ACCORDING TO PIPE SIZE, (SEE TABLE) AND BE RETAINED ON 5mm SIEVE.
 - CLAUSE 601 S.R.W. BACKFILL : UNIFORM READILY COMPACTED MATERIAL FREE FROM TREE ROOTS, VEGETABLE MATTER, BUILDING DEBRIS, AND FROZEN SOIL AND EXCLUDING CLAY LUMPS RETAINED ON A 75mm SIEVE AND STONES RETAINED ON A 37.5mm SIEVE.
 - GULLY GRATINGS AND FRAMES SHALL COMPLY WITH THE REQUIREMENTS OF I.S./E.N./124 1994. GULLIES SHALL BE CLASS D400.
 - GULLY WALLS SHALL BE CONSTRUCTED IN CLASS 30N/mm² PRECAST OR INSTU CONCRETE OR ALTERNATIVELY IN SOLID CONCRETE BLOCKS DESIGNATED S10, STRENGTH 10N/mm²
 - ALL PIPES TO BE BEDDED IN ACCORDANCE WITH MANUFACTURERS RECOMMENDATIONS

REV.	DATE	DESCRIPTION	BY	CHKD.
PLANNING				
DESIGNED	JPC	PREPARED	DJG	
DATE	OCT 2018	CHECKED	DJR	

DBFL Consulting Engineers
 Dublin Office: Ormond House, Upper Ormond Quay, Dublin 7, Ireland. PHONE +353 1 400 4000 FAX +353 1 400 4050
 Waterford Office: Unit 2, The Chandlery, 1-2 O'Connell Street, Waterford, Ireland. PHONE +353 51 300 500 FAX +353 51 844 913
 Email: info@dbfl.ie site: www.dbfl.ie

PROJECT
SITE AT BLUEBELL, NAAS

DRG. TITLE
DRAINAGE & WATERMAIN DETAILS SHEET 2

CLIENT
ARDSTONE HOMES

SCALE AS SHOWN @A1 FILE REF. 170198-3212
 DRG. NO. 170198-170198-3212