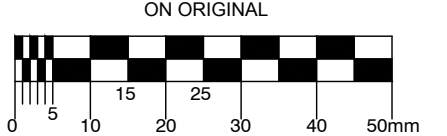


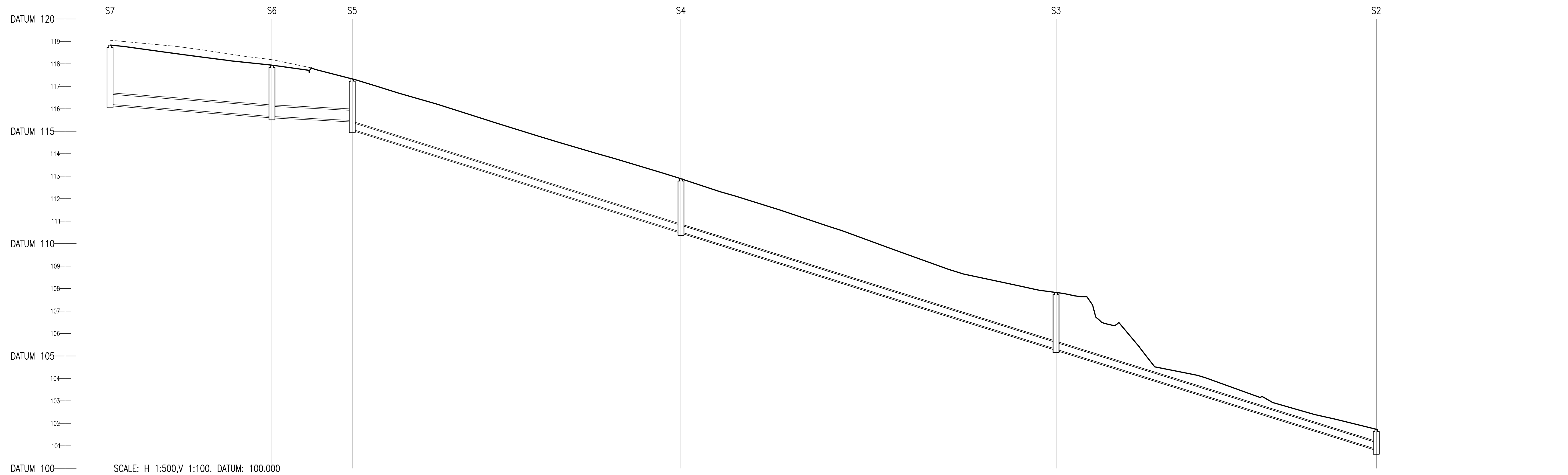
	S16	S15	S14	S13	S12	S11	S10	S9	S8	S7
COVER LEVEL	122.448	122.729	122.884	122.451	122.274	122.112	122.423	121.089	118.958	118.838
INVERT LEVEL	120.985	120.743	120.618	120.144	119.876	119.718	119.589	119.389	117.314	117.157
DEPTH (m)	1.463	1.986	2.241	2.302	2.398	2.394	3.034	1.693	1.644	2.641
DISTANCE (m)		36.29	18.78	71.03	30.86	31.52	19.01	68.39	5.82	
PIPE SLOPE		1:150	1:150	1:178	1:160	1:200	1:147	1:200	1:37	1:37
PIPE SIZE		225mm	225mm	300mm	375mm	375mm	450mm	450mm	300mm	375mm

© COPYRIGHT OF THIS DRAWING IS RESERVED BY DBFL CONSULTING ENGINEERS. NO PART SHALL BE REPRODUCED OR TRANSMITTED WITHOUT THEIR WRITTEN PERMISSION.



- NOTES:
- ALL DRAWINGS TO BE CHECKED BY CONTRACTOR ON SITE AND ENGINEER INFORMED OF DISCREPANCIES BEFORE WORK COMMENCES
  - ALL LEVELS ARE IN METRES AND ARE RELATED TO ORDNANCE DATUM
  - CONTRACTOR SHALL SATISFY HIMSELF AS TO THE ACCURACY OF PAVEMENT LEVELS ON SITE PRIOR TO COMMENCEMENT OF WORKS ON SITE
  - ALL WORKS TO BE CONSTRUCTED IN ACCORDANCE WITH THE NRA SPECIFICATION FOR ROAD WORKS UNLESS NOTED OTHERWISE
  - THIS DRAWING IS FOR PLANNING PURPOSES ONLY
  - MANHOLE COVER LEVELS ARE TO CONFORM WITH FINISHED ROAD AND PATH LEVELS
  - WHERE COVER TO PIPE IS LESS THAN 1200mm (ROAD/PATH/VERGE) OR 900mm (OPEN SPACE) SURROUND PIPE IN MINIMUM 150mm CONCRETE

KEY  
 - - - - - EXISTING GROUND PROFILE  
 \_\_\_\_\_ PROPOSED GROUND PROFILE



	S7	S6	S5	S4	S3	S2
COVER LEVEL	118.838	117.944	117.329	112.886	107.262	101.737
INVERT LEVEL	116.197	115.659	115.479	110.516	105.301	100.849
DEPTH (m)	2.641	2.285	2.242	2.370	2.524	0.963
DISTANCE (m)		36.02	17.86	73.13	83.44	71.23
PIPE SLOPE		1:67	1:99	1:16	1:16	1:16
PIPE SIZE		450mm	450mm	300mm	300mm	300mm

REV.	DATE	DESCRIPTION	BY	CHKD.
<b>PLANNING</b>				
DESIGNED	JPC	PREPARED	DJG	
DATE	OCT 2018	CHECKED	DJR	

DUBLIN OFFICE: Ormond House,  
 Upper Ormond Quay, Dublin 7, Ireland.  
 PHONE +353 1 400 4000  
 FAX +353 1 400 4050  
  
 WATERFORD OFFICE: Unit 2, The Chandlery,  
 1-2 O'Connell Street, Waterford, Ireland.  
 PHONE +353 51 308 500  
 FAX +353 51 844 913  
  
 DBFL Consulting Engineers    email: info@dbfl.ie    site: www.dbfl.ie

PROJECT  
**SITE AT BLUEBELL, NAAS**

DRG. TITLE  
**LONGITUDINAL SECTIONS THROUGH SURFACE WATER SHEET 1**

CLIENT  
**ARDSTONE HOMES**

SCALE    AS SHOWN @A1    FILE REF.    170198-3221  
 DRG. NO.    **170198-170198-3221**