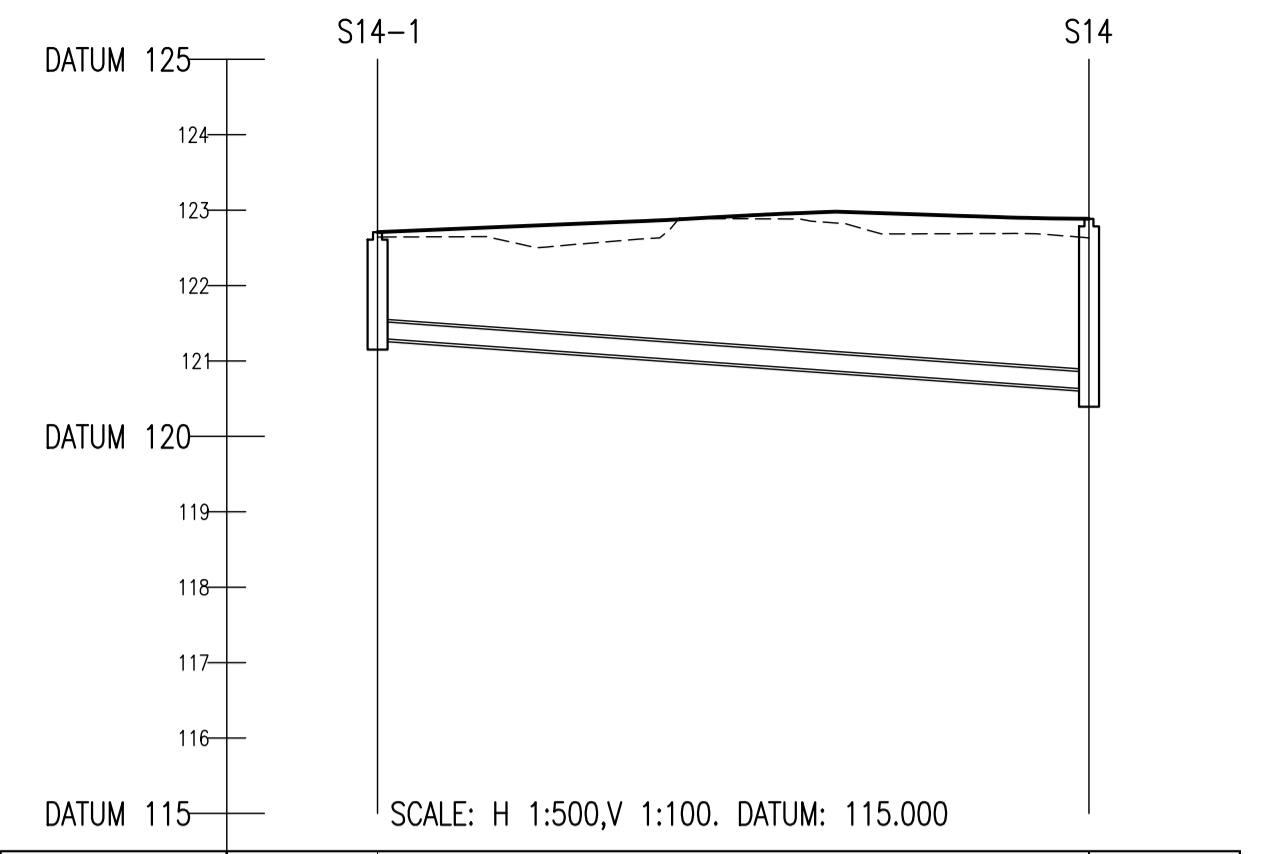
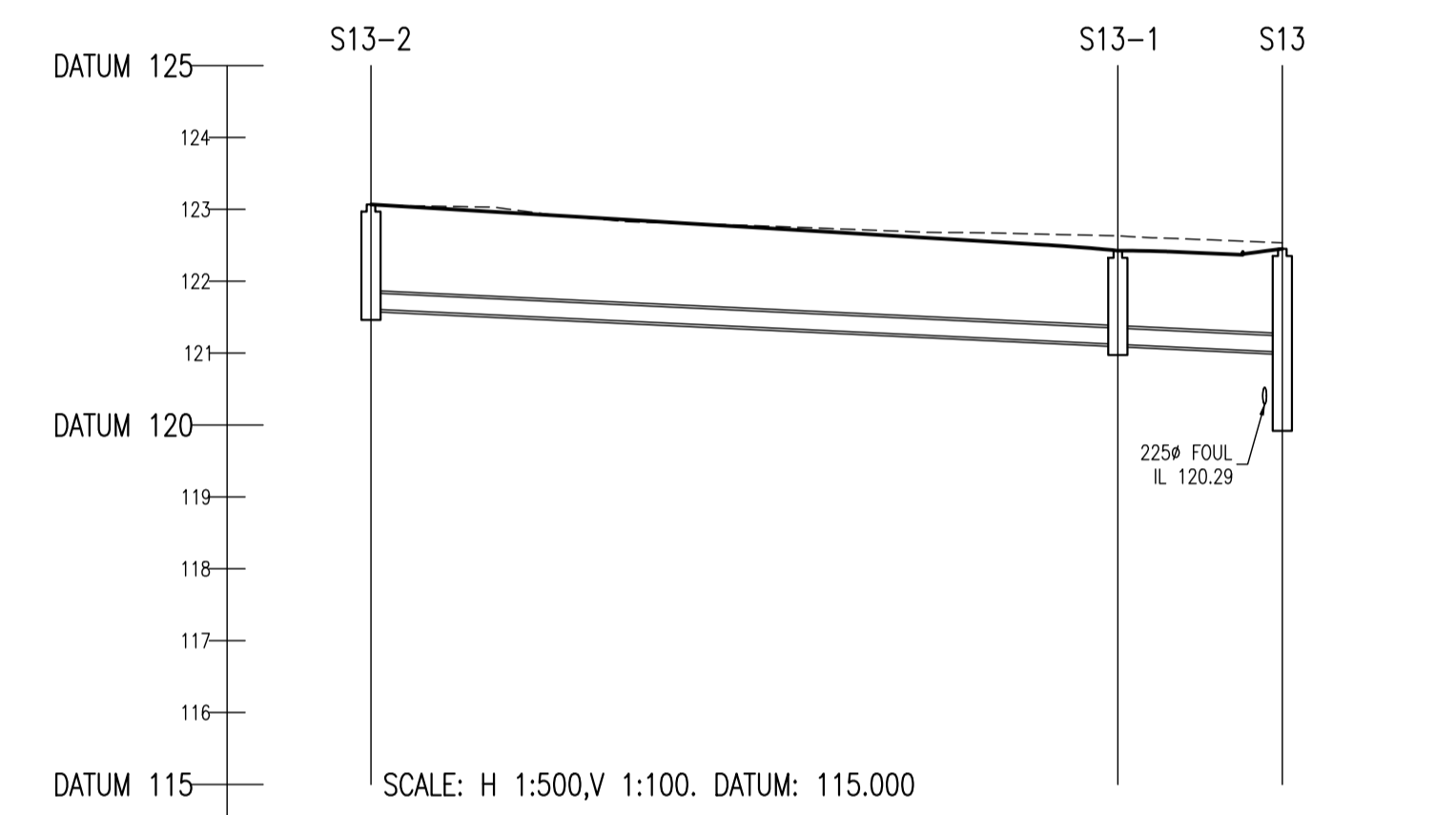


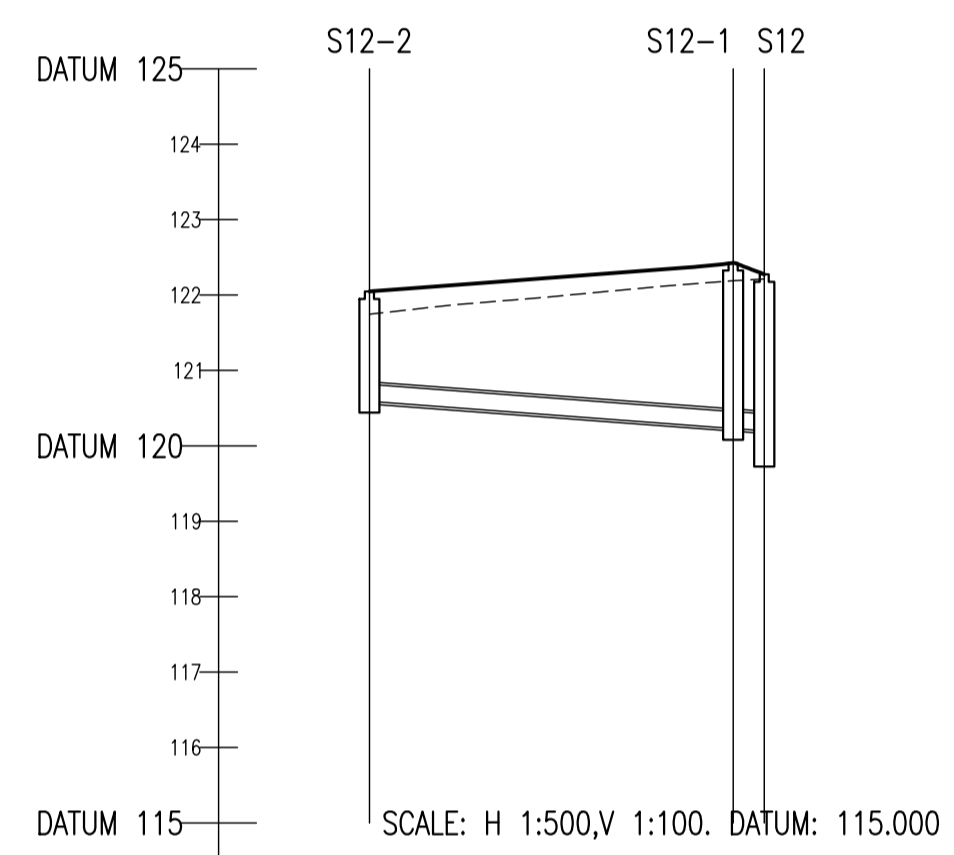
| | | | |
|--------------|---------|--------|--------|
| COVER LEVEL | 101.737 | 98.987 | 95.207 |
| INVERT LEVEL | 100.774 | 97.180 | 95.101 |
| DEPTH (m) | 0.963 | 1.807 | ??? |
| DISTANCE (m) | | 89.86 | 41.57 |
| PIPE SLOPE | | 1:25 | 1:20 |
| PIPE SIZE | | 375mm | 375mm |



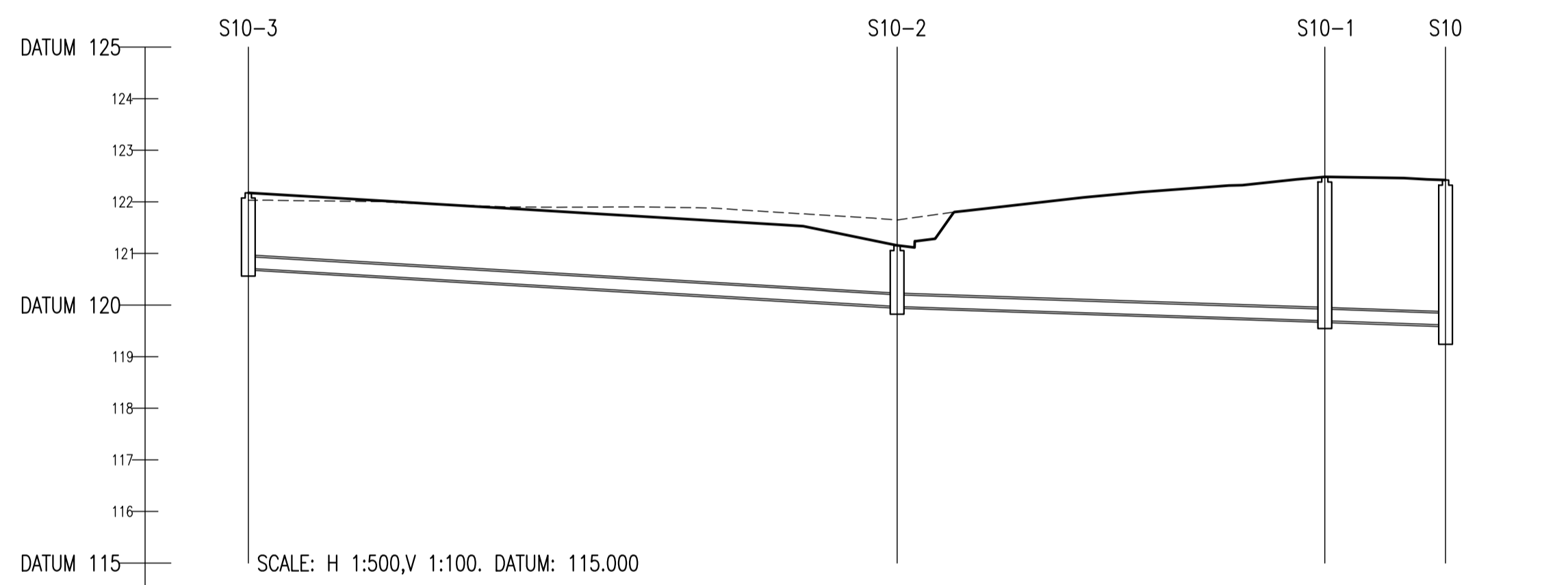
| | | |
|--------------|---------|---------|
| COVER LEVEL | 122.709 | 122.884 |
| INVERT LEVEL | 121.300 | 120.636 |
| DEPTH (m) | 1.409 | 2.248 |
| DISTANCE (m) | | 47.18 |
| PIPE SLOPE | | 1:70 |
| PIPE SIZE | | 225mm |



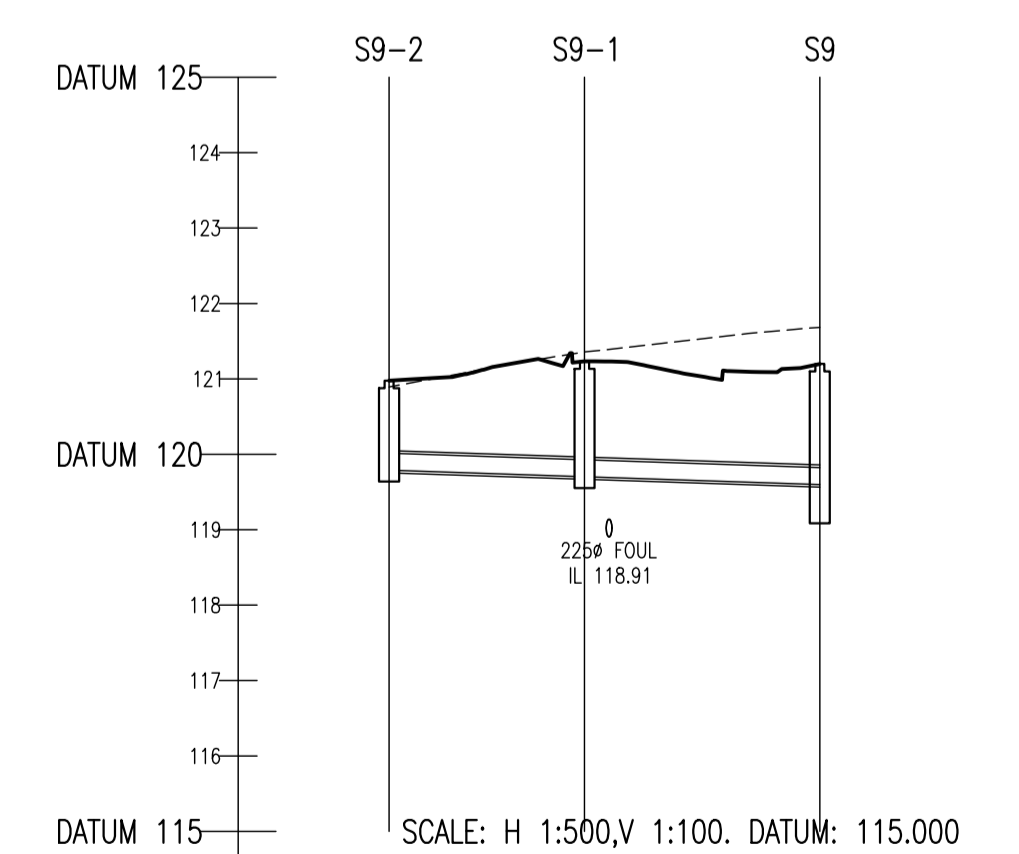
| | | | |
|--------------|---------|---------|---------|
| COVER LEVEL | 123.068 | 122.425 | 122.451 |
| INVERT LEVEL | 121.612 | 121.122 | 121.014 |
| DEPTH (m) | 1.456 | 1.303 | 2.382 |
| DISTANCE (m) | | 51.95 | 11.44 |
| PIPE SLOPE | | 1:106 | 1:106 |
| PIPE SIZE | | 225mm | 225mm |



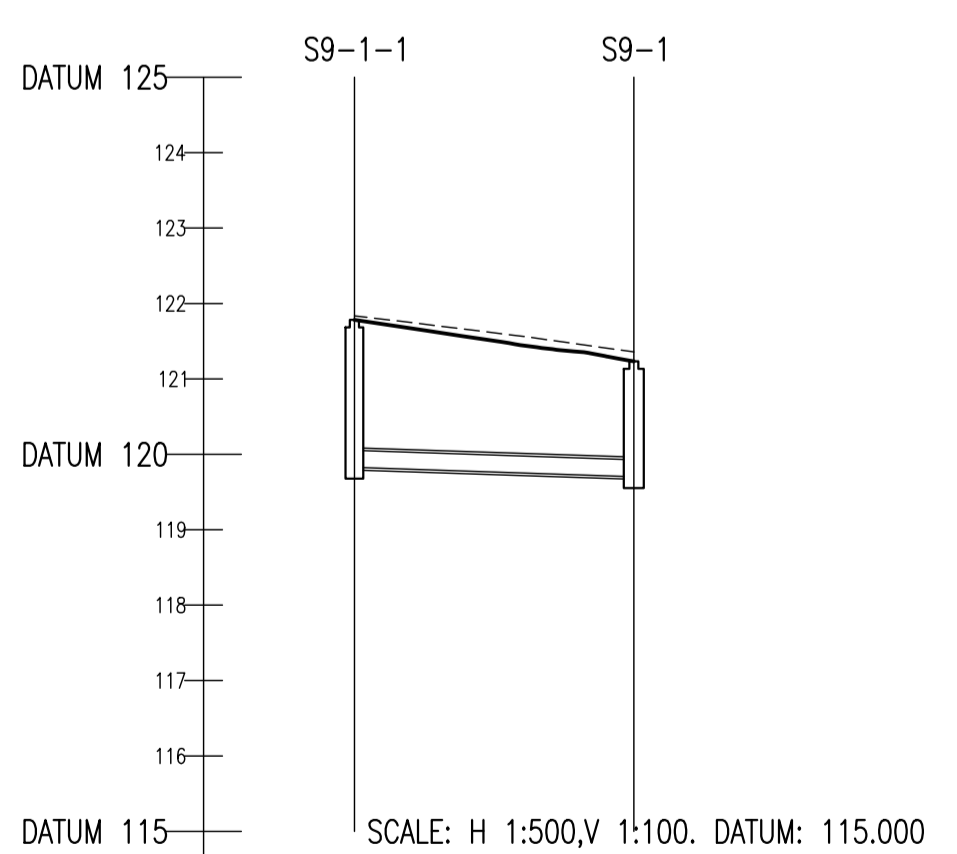
| | | | |
|--------------|---------|---------|---------|
| COVER LEVEL | 122.048 | 122.424 | 122.274 |
| INVERT LEVEL | 120.590 | 120.230 | 120.290 |
| DEPTH (m) | 1.458 | 2.194 | 2.398 |
| DISTANCE (m) | | 24.12 | 2.06 |
| PIPE SLOPE | | 1:67 | 1:68 |
| PIPE SIZE | | 225mm | 225mm |



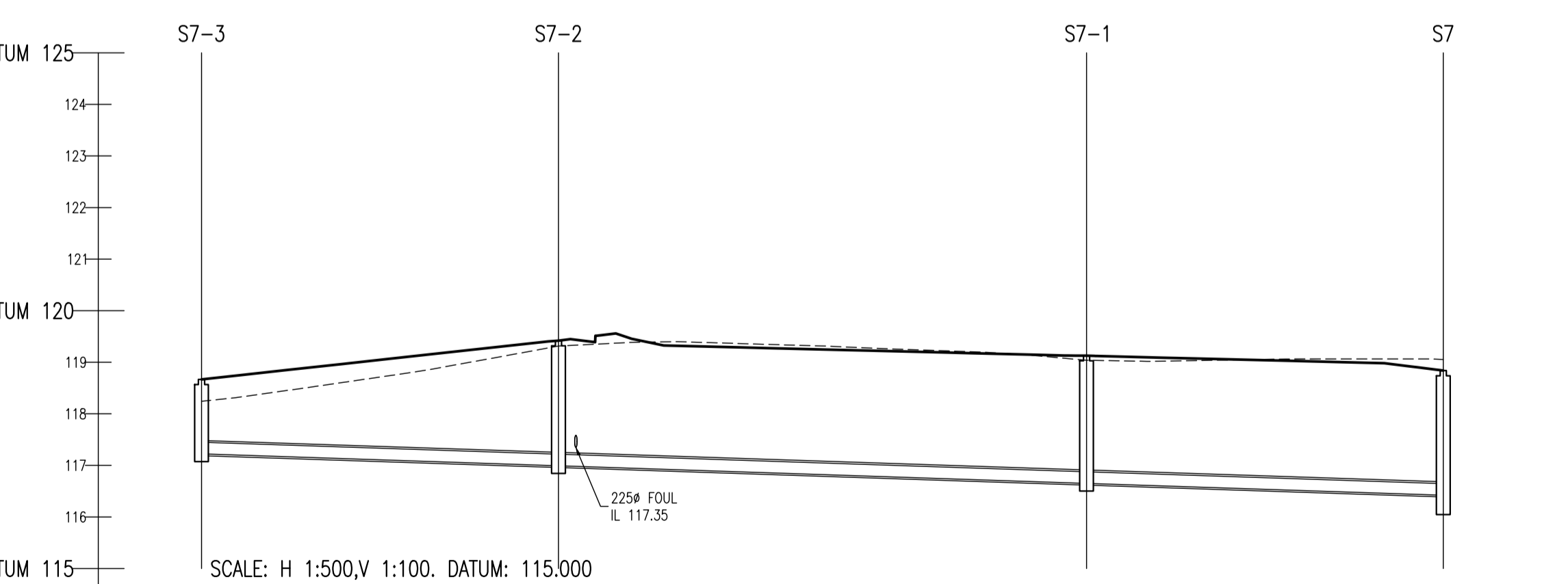
| | | | | |
|--------------|---------|---------|---------|---------|
| COVER LEVEL | 122.175 | 122.157 | 122.485 | 122.423 |
| INVERT LEVEL | 120.712 | 119.972 | 119.696 | 119.614 |
| DEPTH (m) | 1.463 | 1.185 | 2.789 | 3.034 |
| DISTANCE (m) | | 62.86 | 41.44 | 11.70 |
| PIPE SLOPE | | 1:85 | 1:150 | 1:143 |
| PIPE SIZE | | 225mm | 225mm | 225mm |



| | | | |
|--------------|---------|---------|---------|
| COVER LEVEL | 120.977 | 121.232 | 121.188 |
| INVERT LEVEL | 119.289 | 119.703 | 119.599 |
| DEPTH (m) | 1.688 | 1.529 | 1.589 |
| DISTANCE (m) | | 12.96 | 15.60 |
| PIPE SLOPE | | 1:150 | 1:150 |
| PIPE SIZE | | 225mm | 225mm |

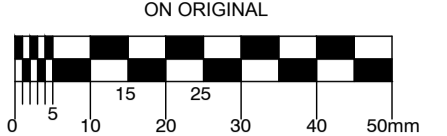


| | | |
|--------------|---------|---------|
| COVER LEVEL | 121.282 | 121.232 |
| INVERT LEVEL | 119.827 | 119.703 |
| DEPTH (m) | 1.455 | 1.529 |
| DISTANCE (m) | | 18.53 |
| PIPE SLOPE | | 1:150 |
| PIPE SIZE | | 225mm |



| | | | | |
|--------------|---------|---------|---------|---------|
| COVER LEVEL | 118.667 | 118.419 | 118.127 | 118.838 |
| INVERT LEVEL | 117.224 | 116.693 | 116.652 | 116.422 |
| DEPTH (m) | 1.443 | 2.426 | 2.475 | 2.416 |
| DISTANCE (m) | | 34.59 | 34.57 | |
| PIPE SLOPE | | 1:150 | 1:150 | |
| PIPE SIZE | | 225mm | 225mm | |

© COPYRIGHT OF THIS DRAWING IS RESERVED BY DBFL CONSULTING ENGINEERS. NO PART SHALL BE REPRODUCED OR TRANSMITTED WITHOUT THEIR WRITTEN PERMISSION.



- NOTES:
- ALL DRAWINGS TO BE CHECKED BY CONTRACTOR ON SITE AND ENGINEER INFORMED OF DISCREPANCIES BEFORE WORK COMMENCES
 - ALL LEVELS ARE IN METRES AND ARE RELATED TO ORDNANCE DATUM
 - CONTRACTOR SHALL SATISFY HIMSELF AS TO THE ACCURACY OF PAVEMENT LEVELS ON SITE PRIOR TO COMMENCEMENT OF WORKS ON SITE
 - ALL WORKS TO BE CONSTRUCTED IN ACCORDANCE WITH THE NRA SPECIFICATION FOR ROAD WORKS UNLESS NOTED OTHERWISE
 - THIS DRAWING IS FOR PLANNING PURPOSES ONLY
 - MANHOLE COVER LEVELS ARE TO CONFORM WITH FINISHED ROAD AND PATH LEVELS
 - WHERE COVER TO PIPE IS LESS THAN 1200mm (ROAD/PATH/VERGE) OR 900mm (OPEN SPACE) SURROUND PIPE IN MINIMUM 150mm CONCRETE

KEY
 - - - - - EXISTING GROUND PROFILE
 _____ PROPOSED GROUND PROFILE

| REV. | DATE | DESCRIPTION | BY | CHKD. |
|-----------------|----------|-------------|-----|-------|
| PLANNING | | | | |
| DESIGNED | JPC | PREPARED | DJG | |
| DATE | OCT 2018 | CHECKED | DJR | |

DBFL Consulting Engineers
 Dublin Office: Ormond House, Upper Ormond Quay, Dublin 7, Ireland. Phone: +353 1 400 4000 Fax: +353 1 400 4050
 Waterford Office: Unit 2, The Chandlery, 1-2 O'Connell Street, Waterford, Ireland. Phone: +353 51 308 500 Fax: +353 51 844 913
 Email: info@dbfl.ie Website: www.dbfl.ie

PROJECT
SITE AT BLUEBELL, NAAS

DRG. TITLE
LONGITUDINAL SECTIONS THROUGH SURFACE WATER SHEET 2

CLIENT
ARDSTONE HOMES

SCALE AS SHOWN @A1 FILE REF. 170198-3221
 DRG. NO. **170198-170198-3222**