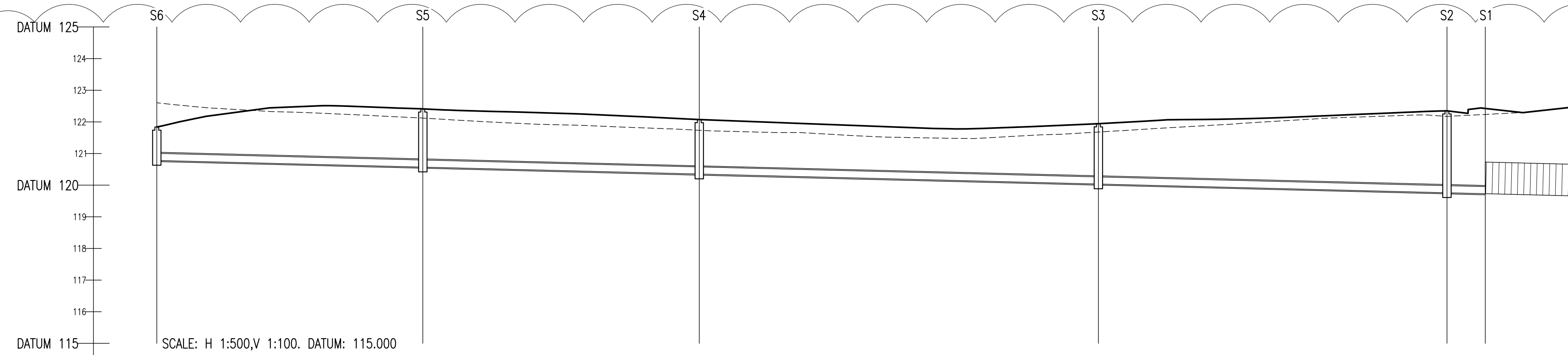


SCALE: H 1:500, V 1:100. DATUM: 110.000

COVER LEVEL	116.618	117.329
INVERT LEVEL	115.216 115.209	115.094 115.087
DEPTH (m)	1.402	2.242
DISTANCE (m)	1.43	1.43
PIPE SLOPE	1:200	1:200
PIPE SIZE	450mm	450mm

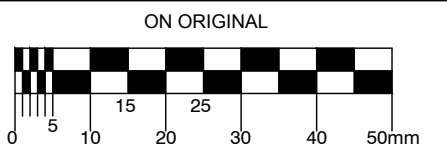


SCALE: H 1:500, V 1:100. DATUM: 115.000

COVER LEVEL	121.839	122.412	122.073	121.943	122.350	120.004
INVERT LEVEL	120.781	120.571 120.571	120.351 120.351	120.036 120.036	119.760 119.760	119.730 119.730
DEPTH (m)	1.058	1.841	1.722	1.907	2.590	2.273
DISTANCE (m)		41.99	43.65	63.01	55.03	6.06
PIPE SLOPE		1:200	1:198	1:200	1:200	1:200
PIPE SIZE		225mm	225mm	225mm	225mm	225mm

S6 TO S1 (ENTRANCE AVENUE) CURRENTLY UNDER CONSTRUCTION AS PERMITTED UNDER PLANNING APPLICATION 15/848 AND AN BORD PLEANALA PL09-246859

© COPYRIGHT OF THIS DRAWING IS RESERVED BY DBFL CONSULTING ENGINEERS. NO PART SHALL BE REPRODUCED OR TRANSMITTED WITHOUT THEIR WRITTEN PERMISSION.



- NOTES:
- ALL DRAWINGS TO BE CHECKED BY CONTRACTOR ON SITE AND ENGINEER INFORMED OF DISCREPANCIES BEFORE WORK COMMENCES
  - ALL LEVELS ARE IN METRES AND ARE RELATED TO ORDNANCE DATUM
  - CONTRACTOR SHALL SATISFY HIMSELF AS TO THE ACCURACY OF PAVEMENT LEVELS ON SITE PRIOR TO COMMENCEMENT OF WORKS ON SITE
  - ALL WORKS TO BE CONSTRUCTED IN ACCORDANCE WITH THE NRA SPECIFICATION FOR ROAD WORKS UNLESS NOTED OTHERWISE
  - THIS DRAWING IS FOR PLANNING PURPOSES ONLY
  - MANHOLE COVER LEVELS ARE TO CONFORM WITH FINISHED ROAD AND PATH LEVELS
  - WHERE COVER TO PIPE IS LESS THAN 1200mm (ROAD/PATH/VERGE) OR 900mm (OPEN SPACE) SURROUND PIPE IN MINIMUM 150mm CONCRETE

KEY  
 - - - - - EXISTING GROUND PROFILE  
 \_\_\_\_\_ PROPOSED GROUND PROFILE

REV.	DATE	DESCRIPTION	BY	CHKD.
<b>PLANNING</b>				
DESIGNED	JPC	PREPARED	DJG	
DATE	OCT 2018	CHECKED	DJR	

**DBFL** Dublin Office: Ormond House, Upper Ormond Quay, Dublin 7, Ireland. PHONE +353 1 400 4000 FAX +353 1 400 4050  
 Waterford Office: Unit 2, The Chandlery, 1-2 O'Connell Street, Waterford, Ireland. PHONE +353 51 328 500 FAX +353 51 844 913  
 DBFL Consulting Engineers email: info@dbfl.ie site: www.dbfl.ie

PROJECT  
**SITE AT BLUEBELL, NAAS**

DRG. TITLE  
**LONGITUDINAL SECTIONS THROUGH SURFACE WATER SHEET 3**

CLIENT  
**ARDSTONE HOMES**

SCALE AS SHOWN @A1 FILE REF. 170198-3221  
 DRG. NO. **170198-170198-3223**