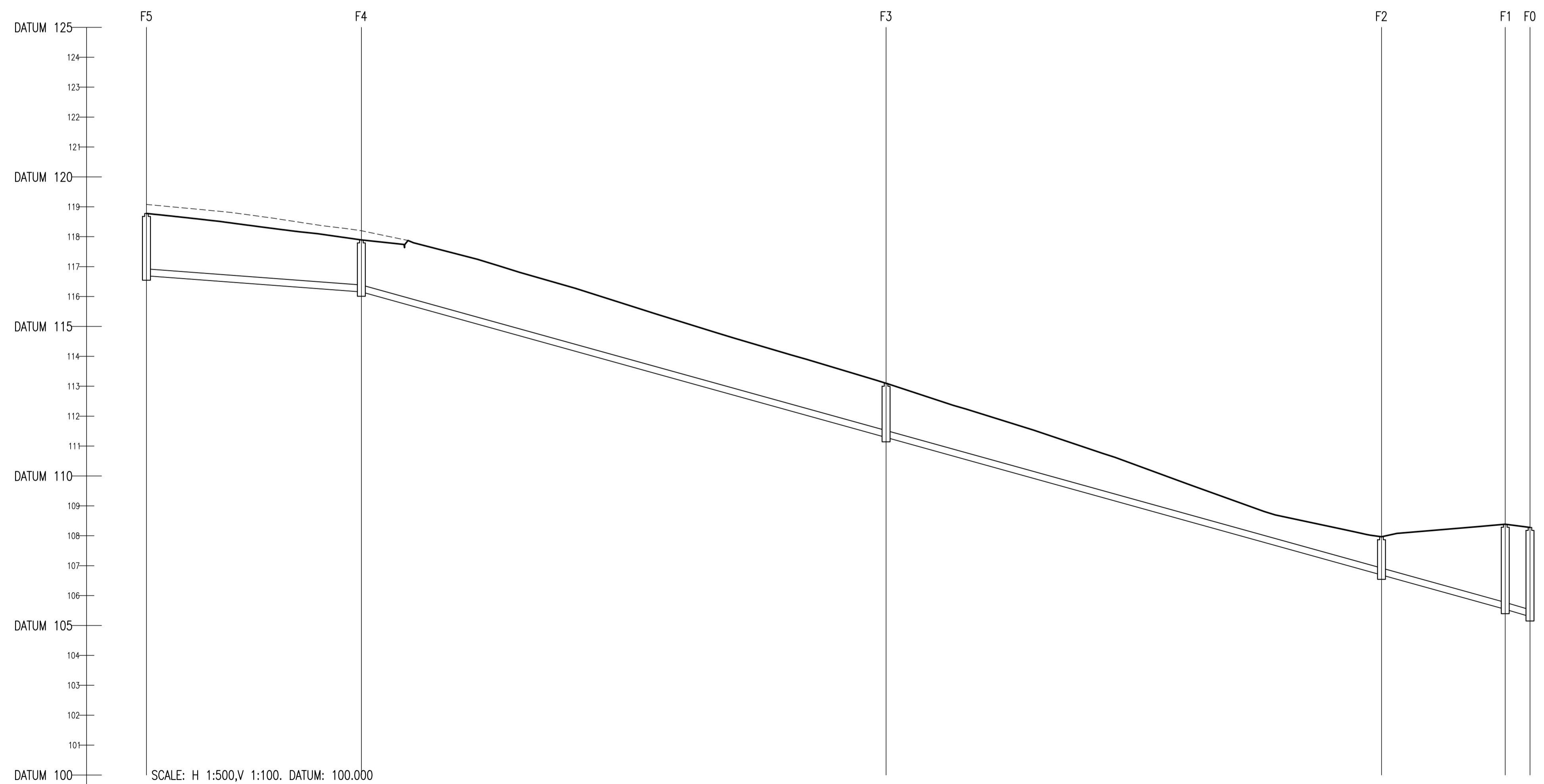


SCALE: H 1:500,V 1:100. DATUM: 115.000

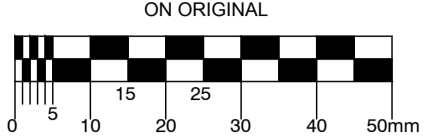
COVER LEVEL	122.535	122.371	122.846	122.389	122.290	121.318	120.743	118.984	118.778
INVERT LEVEL	121.354	121.180	120.930	120.335	119.463	119.041	118.450	116.836	116.695
DEPTH (m)	1.182	1.191	1.916	2.064	2.837	2.277	2.293	2.148	2.083
DISTANCE (m)	26.93	17.01	70.69	31.75	61.81	20.66	58.02	5.24	
PIPE SLOPE	1:155	1:139	1:119	1:36	1:150	1:35	1:36	1:37	
PIPE SIZE	100mm	100mm	225mm	225mm	225mm	225mm	225mm	225mm	



SCALE: H 1:500,V 1:100. DATUM: 100.000

COVER LEVEL	118.778	117.283	113.088	107.288	108.386	108.280
INVERT LEVEL	116.695	116.158	111.292	106.693	105.544	105.300
DEPTH (m)	2.083	1.125	1.806	1.275	2.842	2.980
DISTANCE (m)	35.92	87.68	82.80	20.68	4.14	
PIPE SLOPE	1:67	1:18	1:18	1:18	1:17	
PIPE SIZE	225mm	225mm	225mm	225mm	225mm	

© COPYRIGHT OF THIS DRAWING IS RESERVED BY DBFL CONSULTING ENGINEERS. NO PART SHALL BE REPRODUCED OR TRANSMITTED WITHOUT THEIR WRITTEN PERMISSION.



- NOTES:
- ALL DRAWINGS TO BE CHECKED BY CONTRACTOR ON SITE AND ENGINEER INFORMED OF DISCREPANCIES BEFORE WORK COMMENCES
 - ALL LEVELS ARE IN METRES AND ARE RELATED TO ORDNANCE DATUM
 - CONTRACTOR SHALL SATISFY HIMSELF AS TO THE ACCURACY OF PAVEMENT LEVELS ON SITE PRIOR TO COMMENCEMENT OF WORKS ON SITE
 - ALL WORKS TO BE CONSTRUCTED IN ACCORDANCE WITH THE NRA SPECIFICATION FOR ROAD WORKS UNLESS NOTED OTHERWISE
 - THIS DRAWING IS FOR PLANNING PURPOSES ONLY
 - MANHOLE COVER LEVELS ARE TO CONFORM WITH FINISHED ROAD AND PATH LEVELS
 - WHERE COVER TO PIPE IS LESS THAN 1200mm (ROAD/PATH/VERGE) OR 900mm (OPEN SPACE) SURROUND PIPE IN MINIMUM 150mm CONCRETE

KEY
 - - - - - EXISTING GROUND PROFILE
 _____ PROPOSED GROUND PROFILE

REV.	DATE	DESCRIPTION	BY	CHKD.
PLANNING				
DESIGNED	JPC	PREPARED	DJG	
DATE	OCT 2018	CHECKED	DJR	

Dublin office: Ormond House, Upper Ormond Quay, Dublin 7, Ireland. PHONE +353 1 400 4000 FAX +353 1 400 4050

Waterford office: Unit 2, The Chandlery, 1-2 O'Connell Street, Waterford, Ireland. PHONE +353 51 308 500 FAX +353 51 844 913

DBFL Consulting Engineers email: info@dbfl.ie site: www.dbfl.ie

PROJECT
SITE AT BLUEBELL, NAAS

DRG. TITLE
LONGITUDINAL SECTIONS THROUGH FOUL SEWER SHEET 1

CLIENT
ARDSTONE HOMES

SCALE AS SHOWN @A1 FILE REF. 170198-3221
 DRG. NO. **170198-170198-3231**