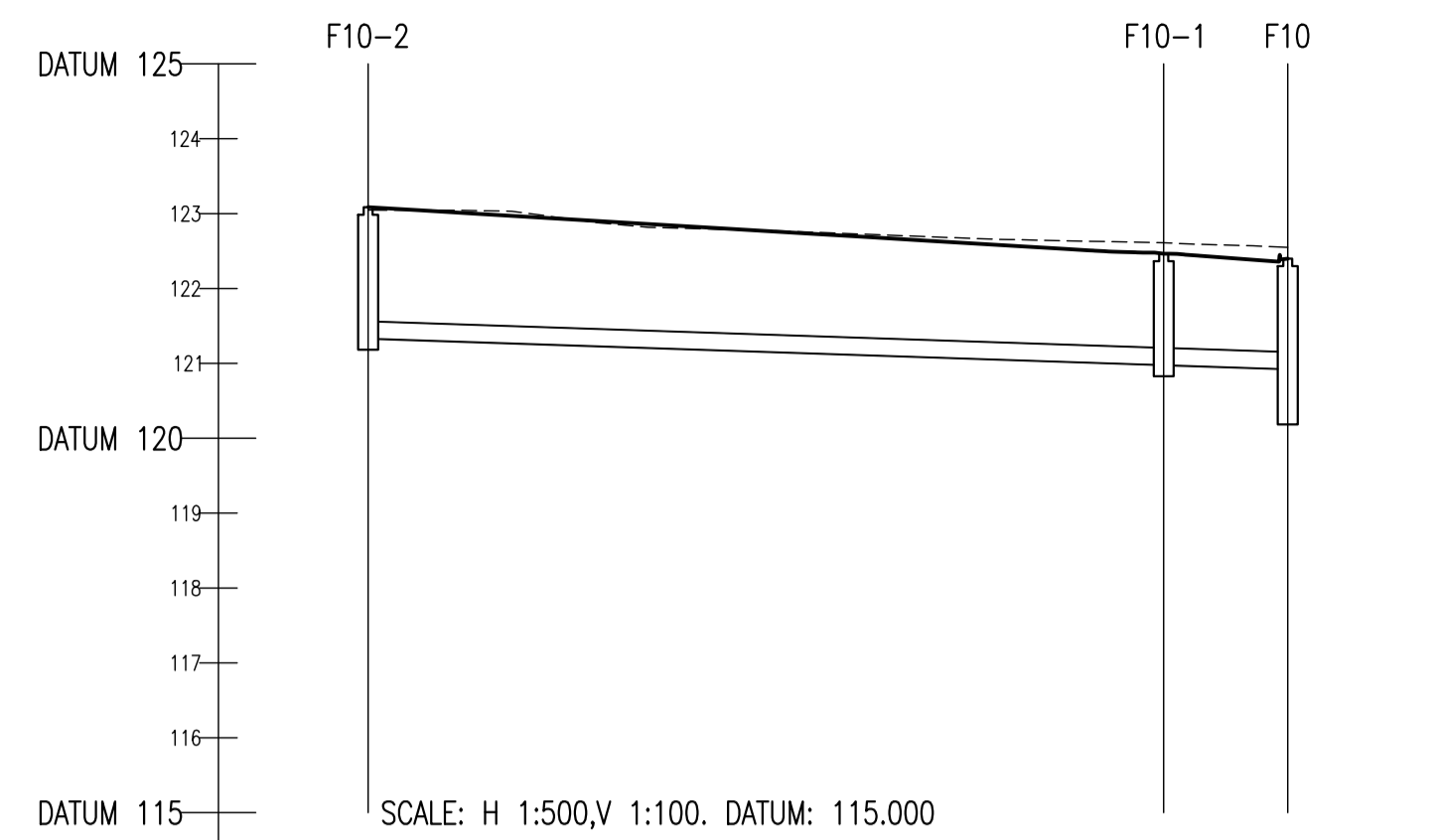
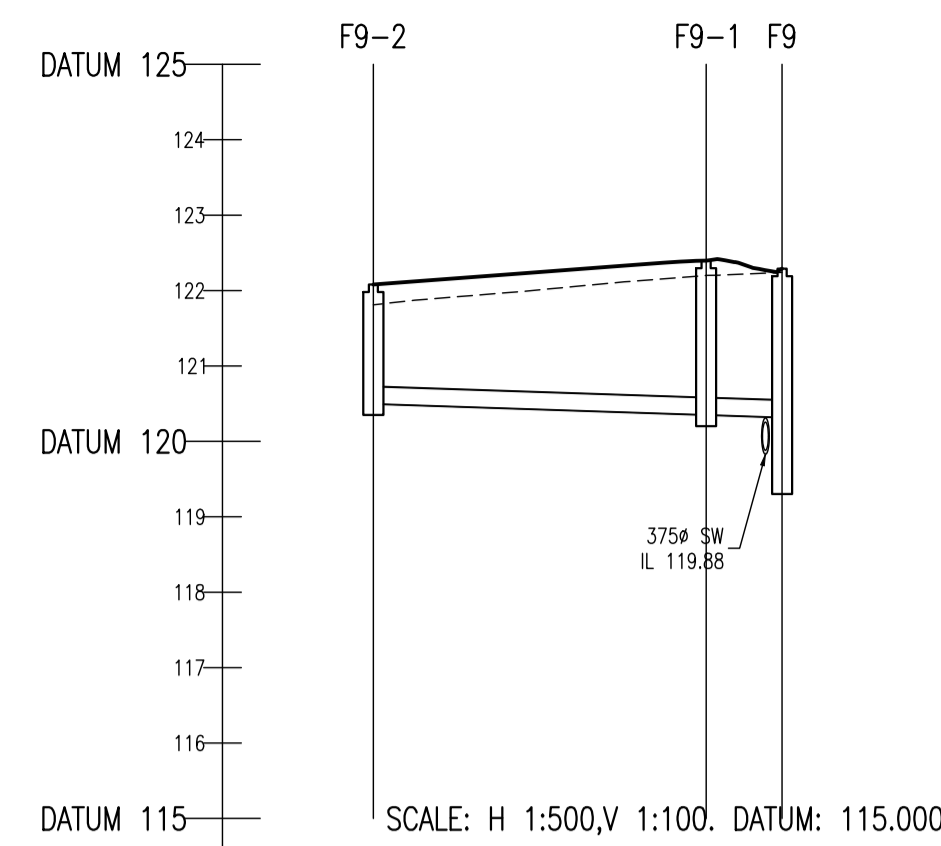


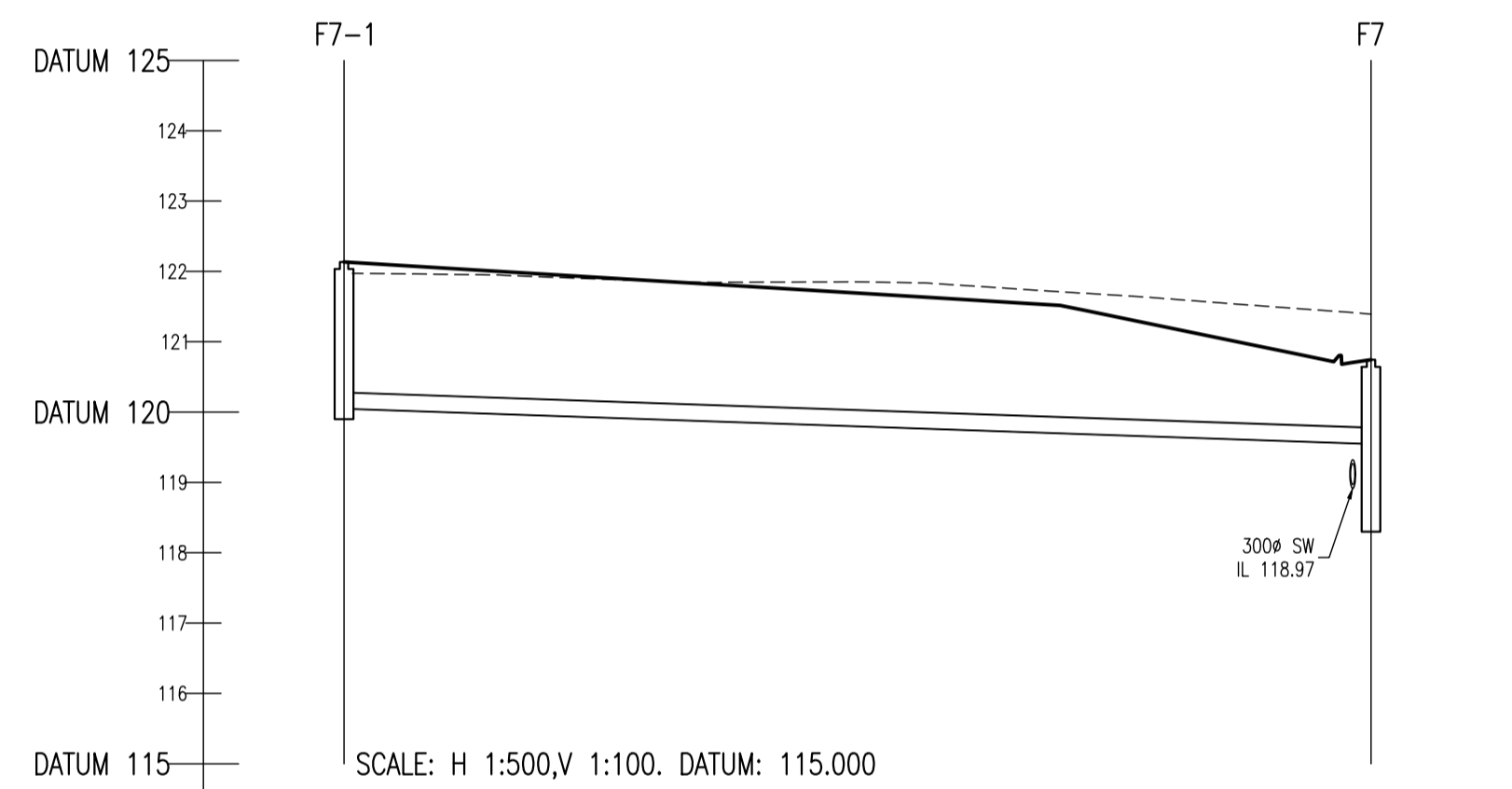
COVER LEVEL		122.776	122.848
INVERT LEVEL		120.344	120.930
DEPTH (m)		1.432	1.918
DISTANCE (m)		47.60	
PIPE SLOPE		1:115	
PIPE SIZE		225mm	



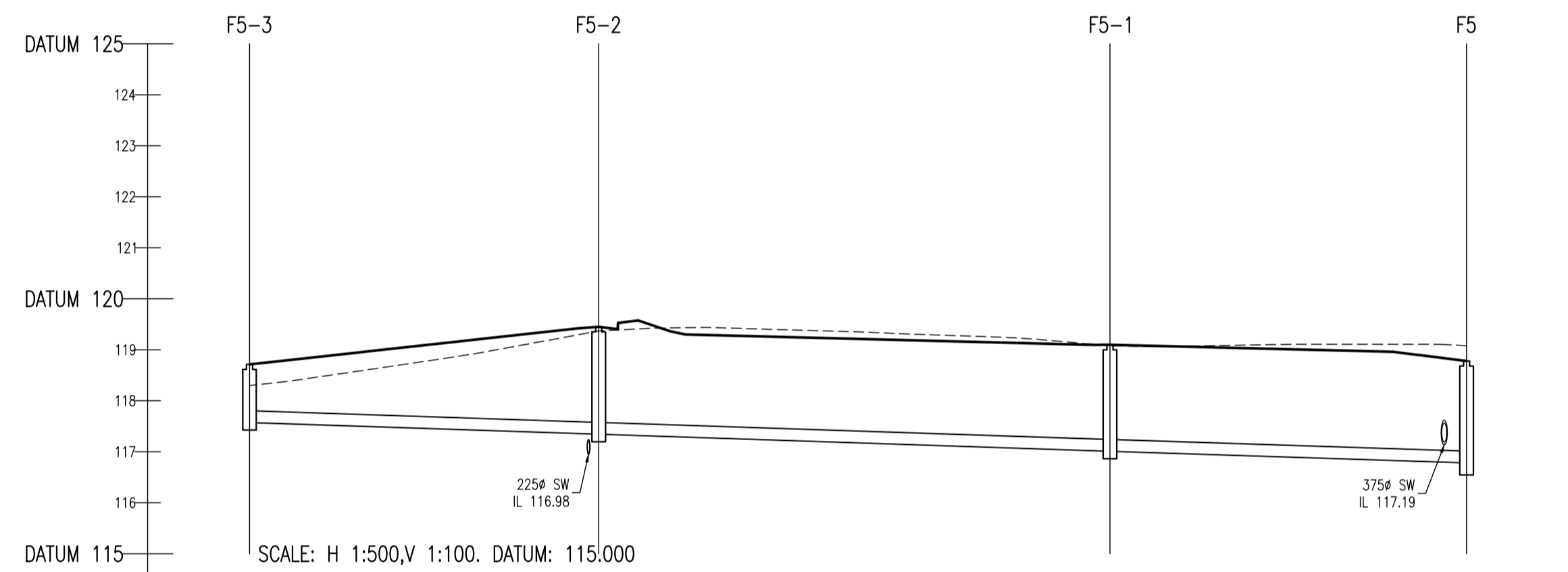
COVER LEVEL		123.085	122.465	122.399
INVERT LEVEL		120.333	120.979	120.923
DEPTH (m)		1.752	1.487	2.064
DISTANCE (m)		53.12	8.29	
PIPE SLOPE		1:150	1:150	
PIPE SIZE		225mm	225mm	



COVER LEVEL		122.080	122.398	122.290
INVERT LEVEL		120.300	120.353	120.319
DEPTH (m)		1.980	2.045	2.037
DISTANCE (m)		22.07	5.04	
PIPE SLOPE		1:150	1:150	
PIPE SIZE		225mm	225mm	

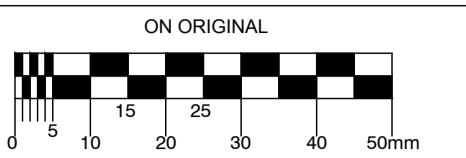


COVER LEVEL		122.134	120.743
INVERT LEVEL		120.050	119.550
DEPTH (m)		2.084	2.293
DISTANCE (m)		73.06	
PIPE SLOPE		1:146	
PIPE SIZE		225mm	



COVER LEVEL		118.713	119.450	119.097	118.778
INVERT LEVEL		117.575	117.346	117.012	116.794
DEPTH (m)		1.138	2.103	2.085	2.083
DISTANCE (m)		34.28	50.18	35.01	
PIPE SLOPE		1:150	1:150	1:154	
PIPE SIZE		225mm	225mm	225mm	

© COPYRIGHT OF THIS DRAWING IS RESERVED BY DBFL CONSULTING ENGINEERS. NO PART SHALL BE REPRODUCED OR TRANSMITTED WITHOUT THEIR WRITTEN PERMISSION.



NOTES:

- ALL DRAWINGS TO BE CHECKED BY CONTRACTOR ON SITE AND ENGINEER INFORMED OF DISCREPANCIES BEFORE WORK COMMENCES
- ALL LEVELS ARE IN METRES AND ARE RELATED TO ORDNANCE DATUM
- CONTRACTOR SHALL SATISFY HIMSELF AS TO THE ACCURACY OF PAVEMENT LEVELS ON SITE PRIOR TO COMMENCEMENT OF WORKS ON SITE
- ALL WORKS TO BE CONSTRUCTED IN ACCORDANCE WITH THE NRA SPECIFICATION FOR ROAD WORKS UNLESS NOTED OTHERWISE
- THIS DRAWING IS FOR PLANNING PURPOSES ONLY
- MANHOLE COVER LEVELS ARE TO CONFORM WITH FINISHED ROAD AND PATH LEVELS
- WHERE COVER TO PIPE IS LESS THAN 1200mm (ROAD/PATH/VERGE) OR 900mm (OPEN SPACE), SURROUND PIPE IN MINIMUM 150mm CONCRETE

KEY

- EXISTING GROUND PROFILE
- PROPOSED GROUND PROFILE

REV.	DATE	DESCRIPTION	BY	CHKD.
------	------	-------------	----	-------

PLANNING

DESIGNED	JPC	PREPARED	DJG
DATE	OCT 2018	CHECKED	DJR

dublin office: Ormond House,
 Upper Ormond Quay, Dublin 7, Ireland.
 phone +353 1 400 4000
 fax +353 1 400 4050

 waterford office: Unit 2, The Chandlery,
 1-2 O'Connell Street, Waterford, Ireland.
 phone +353 51 308 500
 fax +353 51 844 913

DBFL Consulting Engineers email: info@dbfl.ie url: www.dbfl.ie

PROJECT
SITE AT BLUEBELL, NAAS

DRG. TITLE
LONGITUDINAL SECTIONS THROUGH FOUL SEWER SHEET 2

CLIENT
ARDSTONE HOMES

SCALE AS SHOWN @A1 FILE REF. 170198-3221
DRG. NO. **170198-170198-3232**